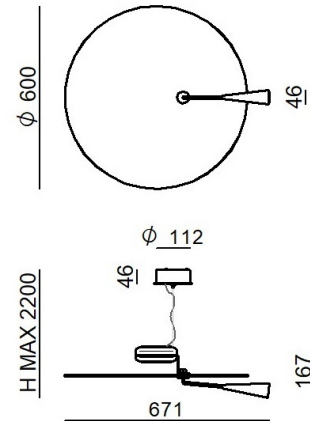
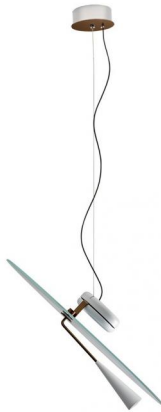


# Bascula



Colgantes | 220-240 V  
120 topLED 25 W DC - 26 W AC | CRI 90  
**CZ001CWHMDD**



Datos técnicos	
Tipo	Colgantes
Posición de instalación	Techo
Ambiente de instalación	Interiores
Fuente de luz	LED
Circuit structure	topLED
Óptica	Difusa
Light emission direction	downward and upward
Potencia nominal	25 W DC
Poder total	26 W
Flujo luminoso (fuente)	3547 lm
Voltage	220 - 240 V AC
Frequency	50 - 60 Hz
CCT / Tone	2700 K
Índice de rendimientos cromático	90 Ra
C.C. / C.V.	AC
Clase de aislamiento	1
IP	IP20
Test del hilo incandescente	850°
Montaje directo sobre superficies normalmente inflamables	Sí
CE	Sí
Driver incluido.	driver
Artículo regulable	DALI-2 - PUSH DIM
Orientabilidad	Orientabile
ángulo total (plano horizontal)	360 °
Basculación	No
Practicabilidad	No
Transitabilidad	No
Cable incluido.	Sí
Largo del cable	2 m
Resinado	No
Tipología de emisión luminosa	Dos emisiones
Peso neto	5.900 Kg
Protección descargas electrostáticas	No
Protección contra sobretensiones	No

## Acabado cuerpo

Material	aluminio - Hierro
Color	Blanco
Elaboración	Pintura - Pintura

## Acabado difusor

Material	vidrio
Color	transparente
Elaboración	Serigrafía

## Acabado montura

Material	Hierro
Color	Blanco
Elaboración	Pintura

## Cables Colgantes

Longitud máxima de	2000 mm
--------------------	---------



Colgantes | 220-240 V | 120 topLED 25 W DC - 26 W AC | CRI 90  
**CZ001CWHMDD**

Double emission pendant luminaires for indoor application. The super warm LED light source with a diffused light distribution is composed of 120 topLED LEDs with CCT of 2700 K and a CRI 90; the source luminous flux is 3547 lm, with a 141.9 lm/W nominal luminous efficacy.

The device body is made of aluminium and features a white finish, processed by means of coating. The device body is made of iron, processed by means of coating; the diffuser is made of glass with a silk-screening treatment; the mounting frame is made of iron, with a white finish, processed by means of coating. The ingress protection degree is IP20; the total weight is of 5.900 kg.

The total absorbed power is 26 W. The power supply cable is included and features a 2 m length.

The device features protection class I and can be ceiling-mounted.

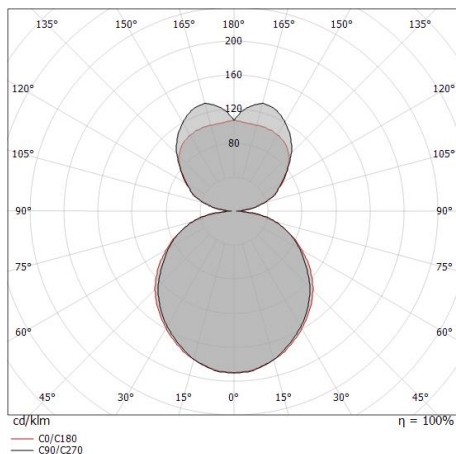
Compliant with the EN 60598-1 standard and its specific provisions.

Características Luminotécnicas	
Light Output Ratio (LOR)	69 %
Flujo luminoso (fuente)	3547 lm
Flujo luminoso de luminaria	2477 lm
Consumption	26 W
Rendimiento luminoso de las luminarias	95 lm/W
Temperatura de color	2700 K
Standard Deviation of Colour Matching	3 Step MacAdam
Índice de rendimientos cromático	90 Ra
Temperatura de unión (luminaria)	80
Temperatura estándar del ambiente de servicio 25°C	

LED Life / Failure Ratio	
L70 B20 C0 72500h (at Tj 115 Ta 25 )	

UGR	
UGR axial	16.8
UGR transversal	16.6
X=4H   Y=8H	S=0.25H
Reflection factor	70/50/20

OPTICAL	
Óptica C0/C180	115°
Light distribution simmetry	Symmetrical



Distance [m]	Cone diameter [m]	illuminance [lx]
0.5	1.57 1.68	E(0°) 1883 E(C90) 147 E(C0) 126
1.0	3.14 3.36	E(0°) 471 E(C90) 37 E(C0) 32
1.5	4.71 5.03	E(0°) 209 E(C90) 16 E(C0) 14
2.0	6.28 6.71	E(0°) 118 E(C90) 9 E(C0) 8
2.5	7.85 8.39	E(0°) 75 E(C90) 6 E(C0) 5
3.0	9.42 10.07	E(0°) 52 E(C90) 4 E(C0) 4

— C0/C180 (Half-peak divergence: 118.4°)  
 — C90/C270 (Half-peak divergence: 115.0°)