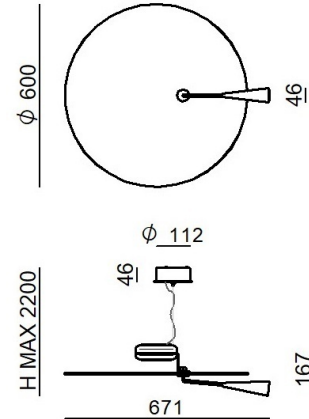
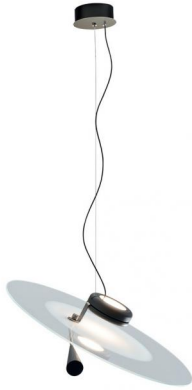




Colgantes | 220-240 V
120 topLED 25 W DC - 26 W AC | CRI 90
CZ001CKGWDD



Datos técnicos	
Tipo	Colgantes
Posición de instalación	Techo
Ambiente de instalación	Interiores
Fuente de luz	LED
Circuit structure	topLED
Óptica	Difusa
Light emission direction	downward and upward
Potencia nominal	25 W DC
Poder total	26 W
Flujo luminoso (fuente)	3795 lm
Voltage	220 - 240 V AC
Frequency	50 - 60 Hz
CCT / Tone	3000 K
Índice de rendimientos cromático	90 Ra
C.C. / C.V.	AC
Clase de aislamiento	1
IP	IP20
Test del hilo incandescente	850°
Montaje directo sobre superficies normalmente inflamables	Sí
CE	Sí
Driver incluido.	driver
Artículo regulable	DALI-2 - PUSH DIM
Orientabilidad	Orientabile
ángulo total (plano horizontal)	360 °
Basculación	No
Practicabilidad	No
Transitabilidad	No
Cable incluido.	Sí
Largo del cable	2 m
Resinado	No
Tipología de emisión luminosa	Dos emisiones
Peso neto	5.900 Kg
Protección descargas electrostáticas	No
Protección contra sobretensiones	No

Acabado cuerpo	
Material	Hierro - aluminio
Color	níquel - Gris RAL 7012
Elaboración	Galvanostegia - Pintura
Acabado difusor	
Material	vidrio
Color	transparente
Elaboración	Serigrafía
Acabado montura	
Material	Hierro
Color	Gris RAL 7012
Elaboración	Pintura
Cables Colgantes	
Longitud máxima de	2000 mm



Colgantes | 220-240 V | 120 topLED 25 W DC - 26 W AC | CRI 90
CZ001CKGWDD

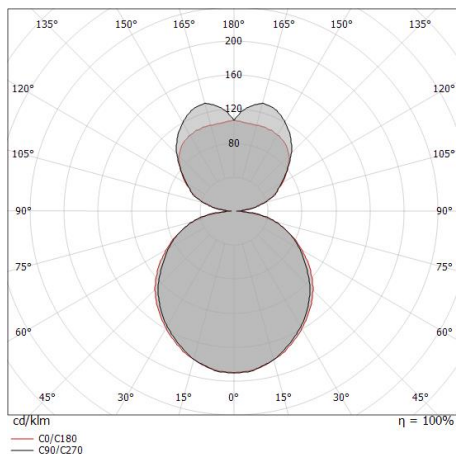
Double emission pendant luminaires for indoor application. The warm white LED light source with a diffused light distribution is composed of 120 topLED LEDs with CCT of 3000 K and a CRI 90; the source luminous flux is 3795 lm, with a 151.8 lm/W nominal luminous efficacy.

The device body is made of iron and features a nickel finish, processed by means of electroplating. The device body is made of aluminium and features a grey ral 7012 ragged finish, processed by means of coating; the diffuser is made of glass with a silk-screening treatment; the mounting frame is made of iron, with a grey ral 7012 ragged finish, processed by means of coating. The ingress protection degree is IP20; the total weight is of 5.900 kg.

The total absorbed power is 26 W. The power supply cable is included and features a 2 m length.

The device features protection class I and can be ceiling-mounted.

Compliant with the EN 60598-1 standard and its specific provisions.



Distance [m]	Cone diameter [m]	illuminance [lx]
0.5	1.57 1.68	E(0°) 2014 E(C90) 157 E(C0) 135
1.0	3.14 3.36	E(0°) 504 E(C90) 39 E(C0) 34
1.5	4.71 5.03	E(0°) 224 E(C90) 17 E(C0) 15
2.0	6.28 6.71	E(0°) 126 E(C90) 10 E(C0) 8
2.5	7.85 8.39	E(0°) 81 E(C90) 6 E(C0) 5
3.0	9.42 10.07	E(0°) 56 E(C90) 4 E(C0) 4

— C0/C180 (Half-peak divergence: 118.4°)
 — C90/C270 (Half-peak divergence: 115.0°)

Características Luminotécnicas

Light Output Ratio (LOR)	69 %
Flujo luminoso (fuente)	3795 lm
Flujo luminoso de luminaria	2650 lm
Consumption	26 W
Rendimiento luminoso de las luminarias	101 lm/W
Temperatura de color	3000 K
Standard Deviation of Colour Matching	3 Step MacAdam
Índice de rendimientos cromático	90 Ra
Temperatura de unión (luminaria)	80
Temperatura estándar del ambiente de servicio	25°C

LED Life / Failure Ratio

L70 B20 C0 72500h (at Tj 115 Ta 25)

UGR

UGR axial	17
UGR transversal	16.9
X=4H Y=8H	S=0.25H
Reflection factor	70/50/20

OPTICAL

Óptica C0/C180	115°
Light distribution simmetry	Symmetrical