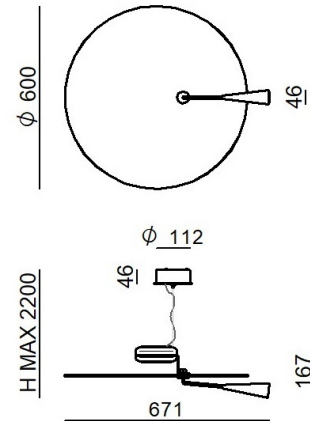
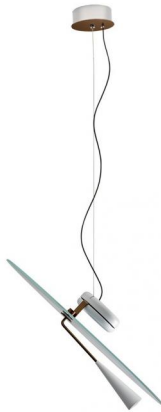




Pendant Luminaires | 220-240 V
120 topLED 25 W DC - 26 W AC | CRI 90
CZ001CWHMDD



Technical data	
Type	Pendant Luminaires
Installation position	Ceiling
Installation environment	Indoor
Light Source	LED
Circuit structure	topLED
Optics	Diffused
Light emission direction	downward and upward
Nominal power	25 W DC
Total Power	26 W
Source lumens	3547 lm
Voltage	220 - 240 V AC
Frequency	50 - 60 Hz
CCT / Tone	2700 K
Colour rendering index	90 Ra
C.C. / C.V.	AC
Safety class	1
IP	IP20
Glow wire test	850°
Direct mounting on normally flammable surfaces	Yes
CE	Yes
Driver included	Driver
Dimmable article	DALI-2 - PUSH DIM
Directional	Swivelling
total angle (horizontal plane)	360 °
Tilting	No
Walk-over	No
Drive-over	No
Cable included	Yes
Cable length	2 m
Resin potting	No
Type of light emission	Double emission
Net weight	5.900 Kg
Electrostatic discharge protection	No
Surge protection	No

Finishing casing

Material	Aluminium - Iron
Colour	White
Processing	Coating - Coating

Finishing diffuser

Material	Glass
Colour	transparent
Processing	Silk-screening

Finishing mounting frame

Material	Iron
Colour	White
Processing	Coating

Cables Pendant Luminaires

Max cable length	2000 mm
------------------	---------

Pendant Luminaires | 220-240 V | 120 topLED 25 W DC - 26 W AC | CRI 90 | Base
CZ001CWHMDD

Double emission pendant luminaires for indoor application. The super warm LED light source with a diffused light distribution is composed of 120 topLEDs with CCT of 2700 K and a CRI 90; the source luminous flux is 3547 lm, with a 141.9 lm/W nominal luminous efficacy.

The device body is made of aluminium and features a white finish, processed by means of coating. The device body is made of iron, processed by means of coating; the diffuser is made of glass with a silk-screening treatment; the mounting frame is made of iron, with a white finish, processed by means of coating. The ingress protection degree is IP20; the total weight is of 5.900 kg.

The total absorbed power is 26 W. The power supply cable is included and features a 2 m length.

The device features protection class I and can be ceiling-mounted.

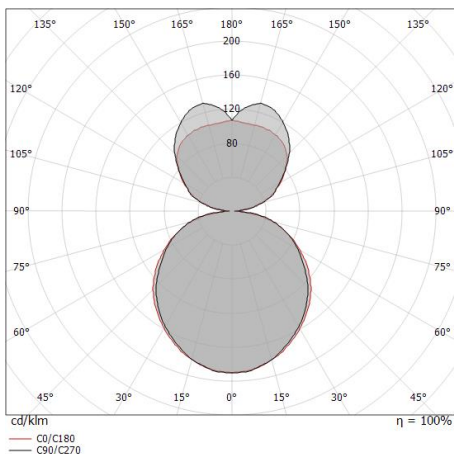
Compliant with the EN 60598-1 standard and its specific provisions.

Illuminotechnical Features	
Light Output Ratio (LOR)	69 %
Source lumens	3547 lm
Delivered lumens	2477 lm
Consumption	26 W
Luminaire efficacy	95 lm/W
Colour temperature	2700 K
Standard Deviation of Colour Matching	3 Step MacAdam
Colour rendering index	90 Ra
Junction temperature (lighting fixture)	80
Standard Operating Ambient Temperature	25°C

LED Life / Failure Ratio	
L70 B20 C0 72500h (at Tj 115 Ta 25)	

UGR	
UGR axial	16.8
UGR transversal	16.6
X=4H Y=8H	S=0.25H
Reflection factor	70/50/20

OPTICAL	
C0/C180 optics	115°
Light distribution symmetry	Symmetrical



Distance [m]	Cone diameter [m]	illuminance [lx]
0.5	1.57	E(0°) 1883
	1.68	E(C90) 57.5° 147
		E(C0) 59.2° 126
1.0	3.14	E(0°) 471
	3.36	E(C90) 57.5° 37
		E(C0) 59.2° 32
1.5	4.71	E(0°) 209
	5.03	E(C90) 57.5° 16
		E(C0) 59.2° 14
2.0	6.28	E(0°) 118
	6.71	E(C90) 57.5° 9
		E(C0) 59.2° 8
2.5	7.85	E(0°) 75
	8.39	E(C90) 57.5° 6
		E(C0) 59.2° 5
3.0	9.42	E(0°) 52
	10.07	E(C90) 57.5° 4
		E(C0) 59.2° 4

— C0/C180 (Half-peak divergence: 118.4°)
 — C90/C270 (Half-peak divergence: 115.0°)