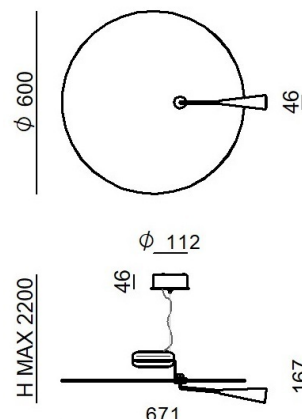
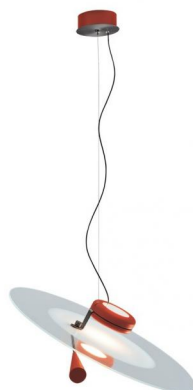




Pendant Luminaires | 220-240 V
120 topLED 25 W DC - 26 W AC | CRI 90

CZ001CRRMDD



Technical data	
Installation position	Ceiling
Installation environment	Indoor
Light Source	LED
Circuit structure	topLED
Optics	Diffused
Light emission direction	downward and upward
Nominal power	25 W DC
Total Power	26 W
Source lumens	3547 lm
Voltage	220 - 240 V AC
Frequency	50 - 60 Hz
CCT / Tone	2700 K
Colour rendering index	90 Ra
C.C. / C.V.	AC
Safety class	1
IP	IP20
Glow wire test	850°
Direct mounting on normally flammable surfaces	Yes
CE	Yes
Driver included	Driver
Dimmable article	DALI-2 - PUSH DIM
Directional	Swivelling
total angle (horizontal plane)	360 °
Tilting	No
Walk-over	No
Drive-over	No
Cable included	Yes
Cable length	2 m
Resin potting	No
Type of light emission	Double emission
Net weight	5.900 Kg
Electrostatic discharge protection	No
Surge protection	No

Finishing casing

Material	Aluminium - Iron
Colour	Red RAL 3020
Processing	Coating - Electroplating

Finishing diffuser

Material	Glass
Colour	transparent
Processing	Silk-screening

Finishing mounting frame

Material	Iron
Colour	Red RAL 3020
Processing	Coating

Cables Pendant Luminaires

Max cable length	2000 mm
------------------	---------



Pendant Luminaires | 220-240 V | 120 topLED 25 W DC - 26 W AC | CRI 90 | Base
CZ001CRRMDD

Double emission pendant luminaires for indoor application. The super warm LED light source with a diffused light distribution is composed of 120 topLEDs with CCT of 2700 K and a CRI 90; the source luminous flux is 3547 lm, with a 141.9 lm/W nominal luminous efficacy.

The device body is made of iron, processed by means of electroplating
 The device body is made of aluminium and features a red ral 3020 finish, processed by means of coating; the diffuser is made of glass with a silk-screening treatment; the mounting frame is made of iron, with a red ral 3020 finish, processed by means of coating. The ingress protection degree is IP20; the total weight is of 5.900 kg.

The total absorbed power is 26 W. The power supply cable is included and features a 2 m length.

The device features protection class I and can be ceiling-mounted.

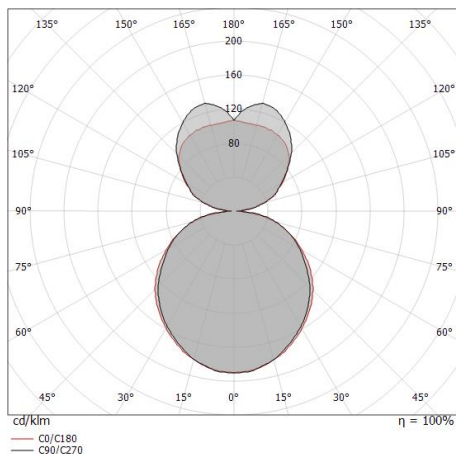
Compliant with the EN 60598-1 standard and its specific provisions.

Illuminotechnical Features	
Light Output Ratio (LOR)	69 %
Source lumens	3547 lm
Delivered lumens	2477 lm
Consumption	26 W
Luminaire efficacy	95 lm/W
Colour temperature	2700 K
Standard Deviation of Colour Matching	3 Step MacAdam
Colour rendering index	90 Ra
Junction temperature (lighting fixture)	80
Standard Operating Ambient Temperature	
	25°C

LED Life / Failure Ratio	
L70 B20 C0 72500h (at Tj 115 Ta 25)	

UGR	
UGR axial	16.8
UGR transversal	16.6
X=4H Y=8H	S=0.25H
Reflection factor	70/50/20

OPTICAL	
C0/C180 optics	115°
Light distribution symmetry	Symmetrical



Distance [m]	Cone diameter [m]	illuminance [lx]
0.5	1.57 1.68	E(0°) 1883 E(C90) 147 E(C0) 126
1.0	3.14 3.36	E(0°) 471 E(C90) 37 E(C0) 32
1.5	4.71 5.03	E(0°) 209 E(C90) 16 E(C0) 14
2.0	6.28 6.71	E(0°) 118 E(C90) 9 E(C0) 8
2.5	7.85 8.39	E(0°) 75 E(C90) 6 E(C0) 5
3.0	9.42 10.07	E(0°) 52 E(C90) 4 E(C0) 4

— C0/C180 (Half-peak divergence: 118.4°)
 — C90/C270 (Half-peak divergence: 115.0°)