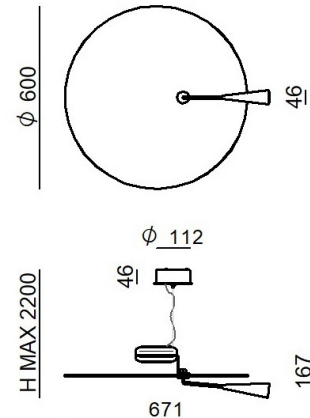
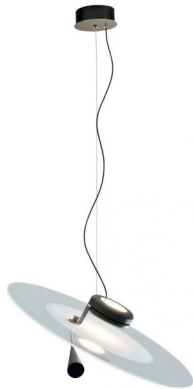




Pendant Luminaires | 220-240 V  
120 topLED 25 W DC - 26 W AC | CRI 90  
**CZ001CKGWDD**



Technical data	
Type	Pendant Luminaires
Installation position	Ceiling
Installation environment	Indoor
Light Source	LED
Circuit structure	topLED
Optics	Diffused
Light emission direction	downward and upward
Nominal power	25 W DC
Total Power	26 W
Source lumens	3795 lm
Voltage	220 - 240 V AC
Frequency	50 - 60 Hz
CCT / Tone	3000 K
Colour rendering index	90 Ra
C.C. / C.V.	AC
Safety class	1
IP	IP20
Glow wire test	850°
Direct mounting on normally flammable surfaces	Yes
CE	Yes
Driver included	Driver
Dimmable article	DALI-2 - PUSH DIM
Directional	Swivelling
total angle (horizontal plane)	360 °
Tilting	No
Walk-over	No
Drive-over	No
Cable included	Yes
Cable length	2 m
Resin potting	No
Type of light emission	Double emission
Net weight	5.900 Kg
Electrostatic discharge protection	No
Surge protection	No

### Finishing casing

Material	Iron - Aluminium
Colour	nickel - Grey RAL 7012 Ragged
Processing	Electroplating - Coating

### Finishing diffuser

Material	Glass
Colour	transparent
Processing	Silk-screening

### Finishing mounting frame

Material	Iron
Colour	Grey RAL 7012 Ragged
Processing	Coating

### Cables Pendant Luminaires

Max cable length	2000 mm
------------------	---------



Pendant Luminaires | 220-240 V | 120 topLED 25 W DC - 26 W AC | CRI 90 | Base  
**CZ001CKGWDD**

Double emission pendant luminaires for indoor application. The warm white LED light source with a diffused light distribution is composed of 120 topLEDs with CCT of 3000 K and a CRI 90; the source luminous flux is 3795 lm, with a 151.8 lm/W nominal luminous efficacy.

The device body is made of iron and features a nickel finish, processed by means of electroplating. The device body is made of aluminium and features a grey ral 7012 ragged finish, processed by means of coating; the diffuser is made of glass with a silk-screening treatment; the mounting frame is made of iron, with a grey ral 7012 ragged finish, processed by means of coating. The ingress protection degree is IP20; the total weight is of 5.900 kg.

The total absorbed power is 26 W. The power supply cable is included and features a 2 m length.

The device features protection class I and can be ceiling-mounted.

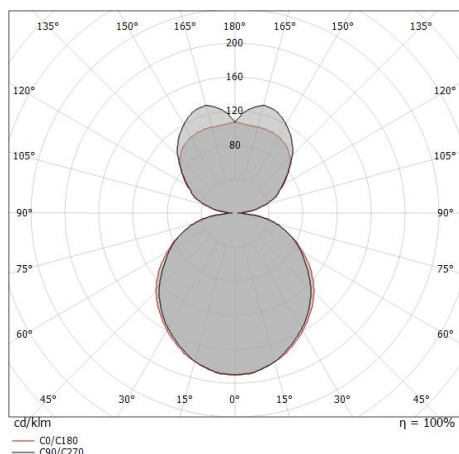
Compliant with the EN 60598-1 standard and its specific provisions.

Illuminotechnical Features	
Light Output Ratio (LOR)	69 %
Source lumens	3795 lm
Delivered lumens	2650 lm
Consumption	26 W
Luminaire efficacy	101 lm/W
Colour temperature	3000 K
Standard Deviation of Colour Matching	3 Step MacAdam
Colour rendering index	90 Ra
Junction temperature (lighting fixture)	80
Standard Operating Ambient Temperature	25°C

LED Life / Failure Ratio	
L70 B20 C0 72500h (at Tj 115 Ta 25 )	

UGR	
UGR axial	17
UGR transversal	16.9
X=4H   Y=8H	S=0.25H
Reflection factor	70/50/20

OPTICAL	
C0/C180 optics	115°
Light distribution symmetry	Symmetrical



Distance [m]	Cone diameter [m]	Intensity [lx]
0.5	1.57 1.68	E(0°) 2014 E(C90) 157 E(C0) 135
1.0	3.14 3.36	E(0°) 504 E(C90) 39 E(C0) 34
1.5	4.71 5.03	E(0°) 224 E(C90) 17 E(C0) 15
2.0	6.28 6.71	E(0°) 126 E(C90) 10 E(C0) 8
2.5	7.85 8.39	E(0°) 81 E(C90) 6 E(C0) 5
3.0	9.42 10.07	E(0°) 56 E(C90) 4 E(C0) 4

— C0/C180 (Half-peak divergence: 118.4°)  
 — C90/C270 (Half-peak divergence: 115.0°)