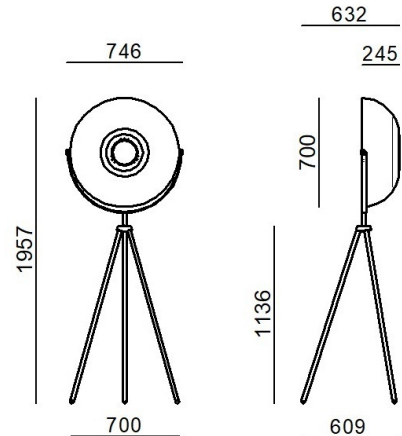
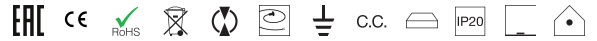


Demì Moon



Luminaria de pie | 220-240 V
84 topLED 34 W DC - 37 W AC | CRI 90
9775



| Datos técnicos | |
|---|---------------------|
| Tipo | Luminaria de pie |
| Posición de instalación | Piso |
| Ambiente de instalación | Interiores |
| Fuente de luz | LED |
| Circuit structure | topLED |
| Óptica | Difusa |
| Light emission direction | downward and upward |
| Potencia nominal | 34 W DC |
| Poder total | 37 W |
| Flujo luminoso (fuente) | 4198 lm |
| Voltage | 220 - 240 V AC |
| Frequency | 60 - 50 Hz |
| CCT / Tone | 3000 K |
| Índice de rendimientos cromático | 90 Ra |
| C.C. / C.V. | AC |
| Clase de aislamiento | 1 |
| IP | IP20 |
| Test del hilo incandescente | 850° |
| Montaje directo sobre superficies normalmente inflamables | Sí |
| CE | Sí |
| Driver incluido. | driver |
| Artículo regulable | DALI-2 - PUSH DIM |
| Orientabilidad | No |
| Basculación | No |
| Practicabilidad | No |
| Transitabilidad | No |
| Cable incluido. | Sí |
| Enchufe eléctrico | Type F |
| Largo del cable | 2 m |
| Resinado | No |
| Tipología de emisión luminosa | Dos emisiones |
| Peso neto | 9.500 Kg |
| Protección descargas electrostáticas | No |
| Protección contra sobretensiones | No |

| Acabado cuerpo | |
|----------------|----------|
| Material | aluminio |
| Color | Blanco |
| Elaboración | Pintura |

| Acabado difusor | |
|-----------------|--------------|
| Color | transparente |



Luminaria de pie | 220-240 V | 84 topLED 34 W DC - 37 W AC | CRI 90
9775

Double emission floor lamp for indoor application. The warm white LED light source with a diffused light distribution is composed of 84 topLED LEDs with CCT of 3000 K and a CRI 90; the source luminous flux is 4198 lm, with a 123.5 lm/W nominal luminous efficacy.

The device body is made of aluminium and features a white finish, processed by means of coating; the diffuser is made with a laser engravings treatment. The ingress protection degree is IP20; the total weight is of 9.500 kg.

The total absorbed power is 37 W. The power supply cable is included and features a 2 m length.

The device features protection class I and can be floor-mounted.

Compliant with the EN 60598-1 standard and its specific provisions.

Clase de eficiencia energética

Este producto contiene 3 fuentes de luz de clase de eficiencia energética E.

Características Luminotécnicas

| | |
|--|----------------|
| Light Output Ratio (LOR) | 48 % |
| Flujo luminoso (fuente) | 4198 lm |
| Flujo luminoso de luminaria | 2051 lm |
| Consumption | 37 W |
| Rendimiento luminoso de las luminarias | 55 lm/W |
| Temperatura de color | 3000 K |
| Standard Deviation of Colour Matching | 3 Step MacAdam |
| Índice de rendimientos cromático | 90 Ra |
| Temperatura de unión (luminaria) | 80 |

Temperatura estándar del ambiente de servicio 25°C

LED Life / Failure Ratio

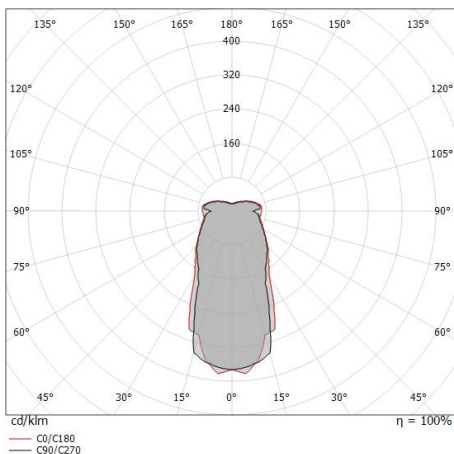
L70 B20 C0 72500h (at Tj 115 Ta 25)

UGR

| | |
|-------------------|----------|
| UGR axial | 17.3 |
| UGR transversal | 17.6 |
| X=4H Y=8H | S=0.25H |
| Reflection factor | 70/50/20 |

OPTICAL

| | |
|-----------------------------|---------------------|
| Óptica C90/C270 | 50° |
| Óptica C0/C180 | 57° |
| Light distribution simmetry | Symmetrical 2 assis |



| Distance [m] | Cone diameter [m] | illuminance [lx] |
|--------------|-------------------|---|
| 0.5 | 0.46 0.54 | E(0°) 3068 E(C90) 1145 E(C0) 1081 |
| 1.0 | 0.93 1.08 | E(0°) 767 E(C90) 286 E(C0) 270 |
| 1.5 | 1.39 1.62 | E(0°) 341 E(C90) 127 E(C0) 120 |
| 2.0 | 1.86 2.15 | E(0°) 192 E(C90) 72 E(C0) 68 |
| 2.5 | 2.32 2.69 | E(0°) 123 E(C90) 46 E(C0) 43 |
| 3.0 | 2.79 3.23 | E(0°) 85 E(C90) 32 E(C0) 30 |

— C0/C180 (Half-peak divergence: 56.6°)
— C90/C270 (Half-peak divergence: 49.8°)