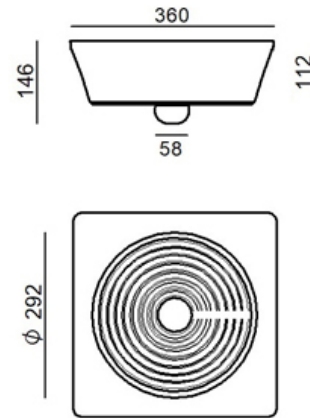




Wall Lights | 220-240 V | 1xE27
9733



Technical data	
Type	Wall Lights
Installation position	Wall lights - Ceiling
Installation environment	Indoor
Lamp cap	1 x E27
Frequency	50-60 Hz
Optics	Diffused
Safety class	1
IP	IP20
Glow wire test	850°
Direct mounting on normally flammable surfaces	Yes
CE	Yes
Dimmable article	No
Directional	No
Tilting	No
Walk-over	No
Drive-over	No
Cable included	No
Resin potting	No
Net weight	0.900 Kg

Finishing casing	
Material	Aluminium - ABS
Colour	White RAL 9016
Processing	Coating
Finishing mounting frame	
Material	Aluminium
Colour	white
Processing	Coating



Wall Lights | 220-240 V | 1xE27
9733

Single emission wall lights for indoor application. LED lamplamp included, lamp cap 1xE27.

The device body is made of aluminium and features a white ral 9016 finish, processed by means of coating The device body is made of ABS; the mounting frame is made of aluminium, with a white finish, processed by means of coating. The ingress protection degree is IP20; the total weight is of 0.900 kg.

The device features protection class I and can be wall lights or ceiling-mounted.

Compliant with the EN 60598-1 standard and its specific provisions.

Energy efficiency class

This product contains a light source of energy efficiency class F.

Illuminotechnical Features

Source lumens	650 lm
---------------	--------

Colour temperature	2700 K
--------------------	--------

Colour rendering index	80 Ra
------------------------	-------

Junction temperature (lighting fixture)	80
---	----

Standard Operating Ambient Temperature	25°C
--	------



Goletta | Wall Lights | Accessories
9733

Bracket
installation position: wall lights

Code
Kit0111