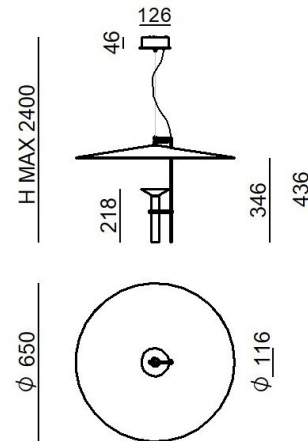




Colgantes | 220-240 V | 1 topLED 25 W DC - 27 W AC  
CRI 90  
9705M



Datos técnicos	
Posición de instalación	Techo
Ambiente de instalación	Interiores
Fuente de luz	LED
Circuit structure	topLED
Óptica	Difusa
Light emission direction	downward
Potencia nominal	25 W DC
Poder total	27 W
Flujo luminoso (fuente)	2804 lm
Voltage	220 - 240 V AC
Frequency	50 - 60 Hz
CCT / Tone	2700 K
Índice de rendimientos cromático	90 Ra
C.C. / C.V.	AC
Clase de aislamiento	1
IP	IP20
Test del hilo incandescente	850°
Montaje directo sobre superficies normalmente inflamables	Sí
CE	Sí
Driver incluido.	driver
Artículo regulable	DALI-2 - PUSH DIM
Orientabilidad	No
Basculación	No
Practicabilidad	No
Transitabilidad	No
Cable incluido.	Sí
Largo del cable	2 m
Resinado	No
Tipología de emisión luminosa	Dos emisiones
Peso neto	3,080 Kg
Protección descargas electrostáticas	No
Protección contra sobretensiones	No

#### Acabado cuerpo

Material	Hierro
Color	Negro
Elaboración	Pintura

#### Acabado difusor

Material	aluminio - aluminio
Color	Blanco - Negro
Elaboración	Pintura - Pintura

#### Acabado montura

Material	Hierro
Color	Negro
Elaboración	Pintura

#### Cables Colgantes

Longitud máxima de	2000 mm
--------------------	---------



Colgantes | 220-240 V | 1 topLED 25 W DC - 27 W AC | CRI 90  
**9705M**

Double emission pendant luminaires for indoor application. The super warm LED light source with a diffused light distribution is composed of 1 topped LEDs with CCT of 2700 K and a CRI 90; the source luminous flux is 2804 lm, with a 112.2 lm/W nominal luminous efficacy.

The device body is made of iron and features a black finish, processed by means of coating; the diffuser is made of aluminium with a coating treatment; the diffuser is made of aluminium with a coating treatment; the mounting frame is made of iron, with a black finish, processed by means of coating. The ingress protection degree is IP20; the total weight is of 3,080 kg.

The total absorbed power is 27 W. The power supply cable is included and features a 2 m length.

The device features protection class I and can be ceiling-mounted.

Compliant with the EN 60598-1 standard and its specific provisions.

### Características Luminotécnicas

Light Output Ratio (LOR)	53 %
Flujo luminoso (fuente)	2804 lm
Flujo luminoso de luminaria	1510 lm
Consumption	27 W
Rendimiento luminoso de las luminarias	55 lm/W
Temperatura de color	2700 K
Standard Deviation of Colour Matching	3 Step MacAdam
Índice de rendimientos cromático	90 Ra
Temperatura de unión (luminaria)	80
Temperatura estándar del ambiente de servicio	25°C

### LED Life / Failure Ratio

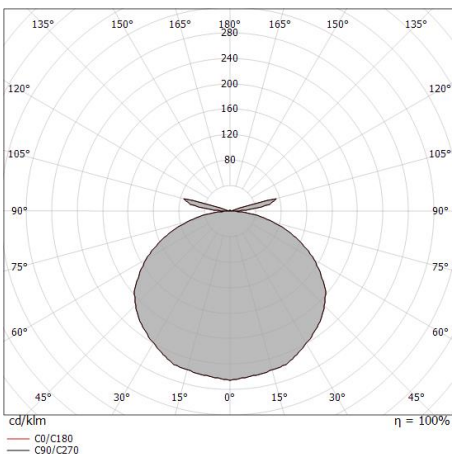
L80 B20 C0 61000h (at Tj 105 Ta 25 )

### UGR

UGR axial	18
UGR transversal	18
X=4H   Y=8H	S=0.25H
Reflection factor	70/50/20

### OPTICAL

Óptica C0/C180	128°
Light distribution simmetry	Symmetrical



Distance [m]	Cone diameter [m]	illuminance [lx]
0.5	2.05	E(0°) 1601 E(C0) 68
1.0	4.10	E(0°) 400 E(C0) 17
1.5	6.15	E(0°) 178 E(C0) 8
2.0	8.20	E(0°) 100 E(C0) 4
2.5	10.25	E(0°) 64 E(C0) 3
3.0	12.30	E(0°) 44 E(C0) 2

— C0/C180 (Half-peak divergence: 128.0°)