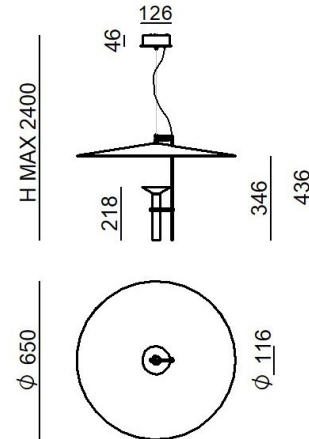




Pendant Luminaires | 220-240 V
1 topLED 25 W DC - 27 W AC | CRI 90
9703M



Technical data

Type	Pendant Luminaires
Installation position	Ceiling
Installation environment	Indoor
Light Source	LED
Circuit structure	topLED
Optics	Diffused
Light emission direction	downward
Nominal power	25 W DC
Total Power	27 W
Source lumens	2804 lm
Voltage	220 - 240 V AC
Frequency	50 - 60 Hz
CCT / Tone	2700 K
Colour rendering index	90 Ra
C.C. / C.V.	AC
Safety class	1
IP	IP20
Glow wire test	850°
Direct mounting on normally flammable surfaces	Yes
CE	Yes
Driver included	Driver
Dimmable article	DALI-2 - PUSH DIM
Directional	No
Tilting	No
Walk-over	No
Drive-over	No
Cable included	Yes
Cable length	2 m
Resin potting	No
Type of light emission	Double emission
Net weight	3,080 Kg
Electrostatic discharge protection	No
Surge protection	No

Finishing casing

Material	Iron
Colour	White
Processing	Coating

Finishing diffuser

Material	Aluminium
Colour	White
Processing	Coating

Finishing mounting frame

Material	Iron
Colour	White RAL 9003 Matt
Processing	Coating

Cables Pendant Luminaires

Max cable length	2000 mm
------------------	---------



Pendant Luminaires | 220-240 V | 1 topLED 25 W DC - 27 W AC | CRI 90 | Base 9703M

Double emission pendant luminaires for indoor application. The super warm LED light source with a diffused light distribution is composed of 1 topped LEDs with CCT of 2700 K and a CRI 90; the source luminous flux is 2804 lm, with a 112.2 lm/W nominal luminous efficacy.

The device body is made of iron and features a white finish, processed by means of coating; the diffuser is made of aluminium with a coating treatment; the mounting frame is made of iron, with a white ral 9003 matt finish, processed by means of coating. The ingress protection degree is IP20; the total weight is of 3,080 kg.

The total absorbed power is 27 W. The power supply cable is included and features a 2 m length.

The device features protection class I and can be ceiling-mounted.

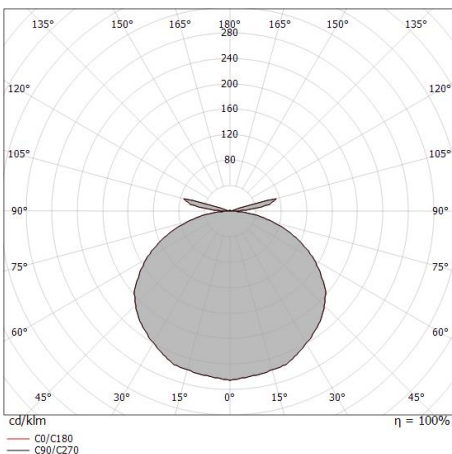
Compliant with the EN 60598-1 standard and its specific provisions.

Illuminotechnical Features	
Light Output Ratio (LOR)	53 %
Source lumens	2804 lm
Delivered lumens	1510 lm
Consumption	27 W
Luminaire efficacy	55 lm/W
Colour temperature	2700 K
Standard Deviation of Colour Matching	3 Step MacAdam
Colour rendering index	90 Ra
Junction temperature (lighting fixture)	80
Standard Operating Ambient Temperature	
	25°C

LED Life / Failure Ratio	
L80 B20 C0 61000h (at Tj 105 Ta 25)	

UGR	
UGR axial	18
UGR transversal	18
X=4H Y=8H	S=0.25H
Reflection factor	70/50/20

OPTICAL	
C0/C180 optics	128°
Light distribution symmetry	Symmetrical



Distance [m]	Cone diameter [m]	E(0°) E(C0)	1601 68
0.5	2.05	E(0°) E(C0)	64.0°
1.0	4.10	E(0°) E(C0)	64.0°
1.5	6.15	E(0°) E(C0)	64.0°
2.0	8.20	E(0°) E(C0)	64.0°
2.5	10.25	E(0°) E(C0)	64.0°
3.0	12.30	E(0°) E(C0)	64.0°
			44 2

Distance [m] Cone diameter [m] Illuminance [lx]

— C0/C180 (Half-peak divergence: 128.0°)