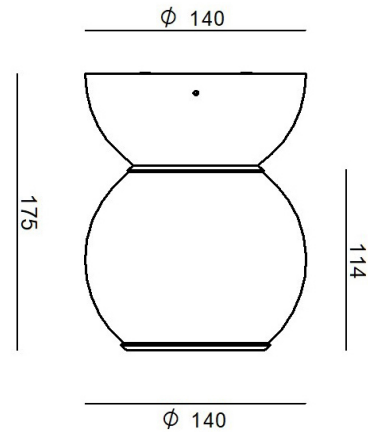




Deckenleuchten | 220-240 V
1 arrayLED 9 W DC - 11 W AC | CRI 90
9717



| Technische Daten | |
|---|----------------|
| Typ | Deckenleuchten |
| Installationsposition | Decke |
| Installationsumgebung | Indoor |
| Lichtquelle | LED |
| Optik | Diffuses |
| Light emission direction | downward |
| Lampe Nennleistung | 9 W DC |
| Gesamtleistung | 11 W |
| Lichtstrom (Lichtquelle) | 1079 lm |
| Voltage | 220 - 240 V AC |
| Frequency | 50 - 60 Hz |
| Ähnlichste Farbtemperatur / Tone | 3000 K |
| Farbwiedergabeindex | 90 Ra |
| Gleichstrom/Gleichspannung | AC |
| Isolierklasse | 1 |
| IP | IP20 |
| Glühdrahtprüfung | 850° |
| Direkte Montage auf normal entflammaren Oberflächen | Ja |
| CE | Ja |
| Einschließlich Driver | Driver |
| Leuchte dimmbar | Phase cut |
| Schwenkbarkeit | Orientabile |
| Gesamtwinkel (horizontale Ebene) | 360 ° |
| Drehbarkeit | Nein |
| Begehbarkeit | Nein |
| Überrollbarkeit | Nein |
| Einschließlich Kabel | Nein |
| Steckdose | Type C |
| Kabellänge | 2 m |
| Harzbeschichtung | Nein |
| Typ Lichtabstrahlung | Einflammig |
| Nettogewicht | 1.330 Kg |
| Schutz vor elektrostatischen Entladungen | Nein |
| Schutz vor Stoßspannungen | Nein |

Oberfläche Gehäuse

| | |
|-----------------|---------------|
| Material | Eisen |
| Farbe | Weiß RAL 9016 |
| Bearbeitungstyp | Lackierung |

Oberfläche Diffusor

| | |
|----------|-------------|
| Material | PC |
| Farbe | transparent |

Oberfläche sockel

| | |
|-----------------|---------------|
| Material | Eisen |
| Farbe | Weiß RAL 9016 |
| Bearbeitungstyp | Lackierung |



Deckenleuchten | 220-240 V | 1 arrayLED 9 W DC - 11 W AC | CRI 90
9717

Single emission ceiling lights for indoor application. The warm white LED light source with a diffused light distribution is composed of 1 topped LEDs with CCT of 3000 K and a CRI 90; the source luminous flux is 1079 lm, with a 119.9 lm/W nominal luminous efficacy.

The device body is made of iron and features a white ral 9016 finish, processed by means of coating; the diffuser is made of PC. The ingress protection degree is IP20; the total weight is of 1.330 kg.

The total absorbed power is 11 W.

The device features protection class I and can be ceiling-mounted.

Compliant with the EN 60598-1 standard and its specific provisions.

Energieeffizienzklasse

ieses Produkt enthält eine Lichtquelle der Energieeffizienzklasse F.

Illuminotechnical Eigenschaften

| | |
|---------------------------------------|----------------|
| Light Output Ratio (LOR) | 88 % |
| Lichtstrom (Lichtquelle) | 1079 lm |
| Leuchten Lichtstrom | 956 lm |
| Consumption | 11 W |
| Leuchten Lichtausbeute | 86 lm/W |
| Farbtemperatur | 3000 K |
| Standard Deviation of Colour Matching | 3 Step MacAdam |
| Farbwiedergabeindex | 90 Ra |
| Verbindungstemperatur (Leuchte) | 80 |
| Standardumgebungstemperatur | -20 / +50°C |

LED Life / Failure Ratio

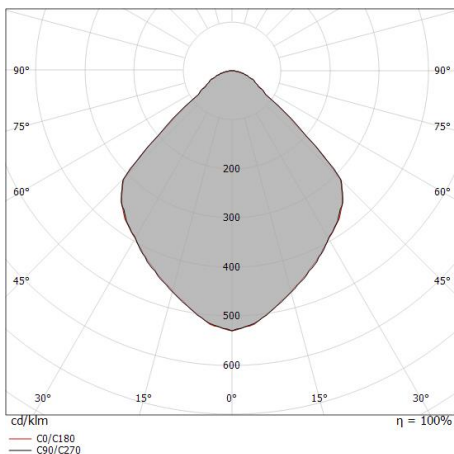
L80 B20 C0 80000h

UGR

| | |
|-------------------|----------|
| UGR axial | 22.8 |
| UGR transversal | 22.7 |
| X=4H Y=8H | S=0.25H |
| Reflection factor | 70/50/20 |

OPTICAL

| | |
|-----------------------------|-------------|
| Optik C0/C180 | 93° |
| Light distribution simmetry | Symmetrical |



| Distance [m] | Cone diameter [m] | Illuminance [lx] | E(0°) | E(C90) | E(C0) |
|--------------|-------------------|------------------|-------|--------|-------|
| 0.5 | 1.06 1.06 | 2026 | 46.7° | 329 | 330 |
| 1.0 | 2.12 2.11 | 507 | 46.7° | 82 | 83 |
| 1.5 | 3.18 3.17 | 225 | 46.7° | 37 | 37 |
| 2.0 | 4.24 4.23 | 127 | 46.7° | 21 | 21 |
| 2.5 | 5.31 5.29 | 81 | 46.7° | 13 | 13 |
| 3.0 | 6.37 6.34 | 56 | 46.7° | 9 | 9 |

Distance [m] Cone diameter [m] Illuminance [lx]

— C0/C180 (Half-peak divergence: 93.2°)
- - C90/C270 (Half-peak divergence: 93.4°)