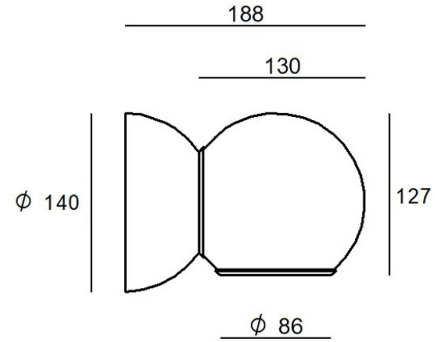


Gravitino



Wall Lights | 220-240 V
1 arrayLED 9 W DC - 11 W AC | CRI 90
9722



Technical data	
Type	Wall Lights
Installation position	Wall lights
Installation environment	Indoor
Light Source	LED
Circuit structure	arrayLED
Optics	Diffused
Light emission direction	downward
Nominal power	9 W DC
Total Power	11 W
Source lumens	1079 lm
Voltage	220 - 240 V AC
Frequency	50 - 60 Hz
CCT / Tone	3000 K
Colour rendering index	90 Ra
C.C. / C.V.	AC
Safety class	1
IP	IP20
Glow wire test	850°
Direct mounting on normally flammable surfaces	Yes
CE	Yes
Driver included	Driver
Dimmable article	Phase cut
Directional	Swivelling
total angle (horizontal plane)	360 °
Tilting	No
Walk-over	No
Drive-over	No
Cable included	No
Resin potting	No
Type of light emission	Single emission
Net weight	1.330 Kg
Electrostatic discharge protection	No
Surge protection	No

Finishing casing	
Material	Iron
Processing	Coating
Finishing diffuser	
Material	PC
Colour	transparent
Finishing base	
Material	Iron
Processing	Coating



Wall Lights | 220-240 V | 1 arrayLED 9 W DC - 11 W AC | CRI 90 | Base 9722

Single emission wall lights for indoor application. The warm white LED light source with a diffused light distribution is composed of 1 topped LEDs with CCT of 3000 K and a CRI 90; the source luminous flux is 1079 lm, with a 119.9 lm/W nominal luminous efficacy.

The device body is made of iron, processed by means of coating; the diffuser is made of PC. The ingress protection degree is IP20; the total weight is of 1.330 kg.

The total absorbed power is 11 W.

The device features protection class I and can be wall lights-mounted.

Compliant with the EN 60598-1 standard and its specific provisions.

Energy efficiency class

This product contains a light source of energy efficiency class F.

Illuminotechnical Features

Light Output Ratio (LOR)	88 %
Source lumens	1079 lm
Delivered lumens	956 lm
Consumption	11 W
Luminaire efficacy	86 lm/W
Colour temperature	3000 K
Standard Deviation of Colour Matching	3 Step MacAdam
Colour rendering index	90 Ra
Junction temperature (lighting fixture)	80
Standard Operating Ambient Temperature	-20 / +50°C

LED Life / Failure Ratio

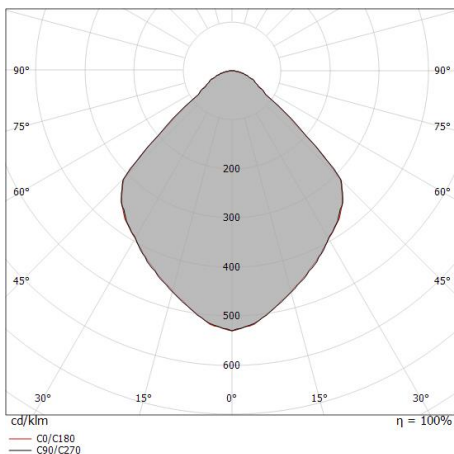
L80 B20 C0 80000h

UGR

UGR transversal	22.7
UGR axial	22.8
X=4H Y=8H	S=0.25H
Reflection factor	70/50/20

OPTICAL

C0/C180 optics	93°
Light distribution simmetry	Symmetrical



Distance [m]	Cone diameter [m]	Illuminance [lx]
0.5	1.06 1.06	E(0°) 2026 E(C90) 329 E(C0) 330
1.0	2.12 2.11	E(0°) 507 E(C90) 82 E(C0) 83
1.5	3.18 3.17	E(0°) 225 E(C90) 37 E(C0) 37
2.0	4.24 4.23	E(0°) 127 E(C90) 21 E(C0) 21
2.5	5.31 5.29	E(0°) 81 E(C90) 13 E(C0) 13
3.0	6.37 6.34	E(0°) 56 E(C90) 9 E(C0) 9

Distance [m] Cone diameter [m] Illuminance [lx]

— C0/C180 (Half-peak divergence: 93.2°)
— C90/C270 (Half-peak divergence: 93.4°)