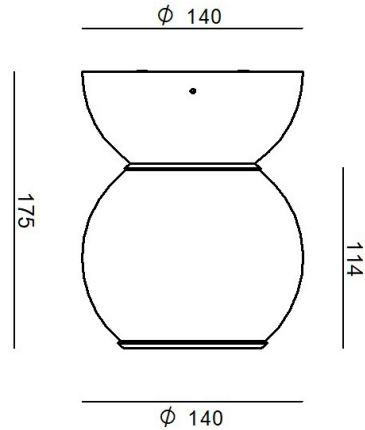


# Gravitino



Ceiling Lights | 220-240 V  
1 arrayLED 9 W DC - 11 W AC | CRI 90  
9717



Technical data	
Type	Ceiling Lights
Installation position	Ceiling
Installation environment	Indoor
Light Source	LED
Circuit structure	arrayLED
Optics	Diffused
Light emission direction	downward
Nominal power	9 W DC
Total Power	11 W
Source lumens	1079 lm
Voltage	220 - 240 V AC
Frequency	50 - 60 Hz
CCT / Tone	3000 K
Colour rendering index	90 Ra
C.C. / C.V.	AC
Safety class	1
IP	IP20
Glow wire test	850°
Direct mounting on normally flammable surfaces	Yes
CE	Yes
Driver included	Driver
Dimmable article	Phase cut
Directional	Swivelling
total angle (horizontal plane)	360 °
Tilting	No
Walk-over	No
Drive-over	No
Cable included	No
Electric socket	Type C
Resin potting	No
Type of light emission	Single emission
Net weight	1.330 Kg
Electrostatic discharge protection	No
Surge protection	No

## Finishing casing

Material	Iron
Colour	White RAL 9016
Processing	Coating

## Finishing diffuser

Material	PC
Colour	transparent

## Finishing base

Material	Iron
Colour	White RAL 9016
Processing	Coating



Ceiling Lights | 220-240 V | 1 arrayLED 9 W DC - 11 W AC | CRI 90 | Base 9717

Single emission ceiling lights for indoor application. The warm white LED light source with a diffused light distribution is composed of 1 topped LEDs with CCT of 3000 K and a CRI 90; the source luminous flux is 1079 lm, with a 119.9 lm/W nominal luminous efficacy.

The device body is made of iron and features a white ral 9016 finish, processed by means of coating; the diffuser is made of PC. The ingress protection degree is IP20; the total weight is of 1.330 kg.

The total absorbed power is 11 W.

The device features protection class I and can be ceiling-mounted.

Compliant with the EN 60598-1 standard and its specific provisions.

### Energy efficiency class

This product contains a light source of energy efficiency class F.

### Illuminotechnical Features

Light Output Ratio (LOR)	88 %
Source lumens	1079 lm
Delivered lumens	956 lm
Consumption	11 W
Luminaire efficacy	86 lm/W
Colour temperature	3000 K
Standard Deviation of Colour Matching	3 Step MacAdam
Colour rendering index	90 Ra
Junction temperature (lighting fixture)	80
Standard Operating Ambient Temperature	-20 / +50°C

### LED Life / Failure Ratio

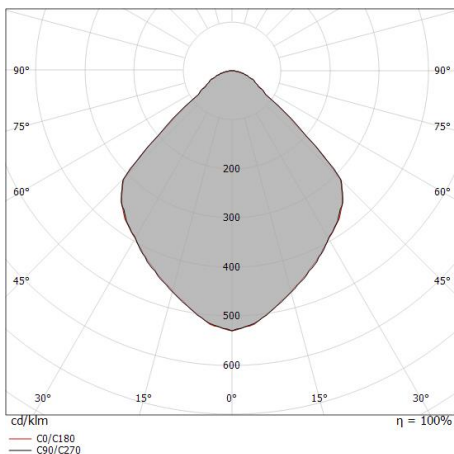
L80 B20 C0 80000h

### UGR

UGR transversal	22.7
UGR axial	22.8
X=4H   Y=8H	S=0.25H
Reflection factor	70/50/20

### OPTICAL

C0/C180 optics	93°
Light distribution simmetry	Symmetrical



Distance [m]	Cone diameter [m]	Illuminance [lx]
0.5	1.06 1.06	E(0°) 2026 E(C90) 329 E(C0) 330
1.0	2.12 2.11	E(0°) 507 E(C90) 82 E(C0) 83
1.5	3.18 3.17	E(0°) 225 E(C90) 37 E(C0) 37
2.0	4.24 4.23	E(0°) 127 E(C90) 21 E(C0) 21
2.5	5.31 5.29	E(0°) 81 E(C90) 13 E(C0) 13
3.0	6.37 6.34	E(0°) 56 E(C90) 9 E(C0) 9

Distance [m] Cone diameter [m] Illuminance [lx]

— C0/C180 (Half-peak divergence: 93.2°)  
— C90/C270 (Half-peak divergence: 93.4°)