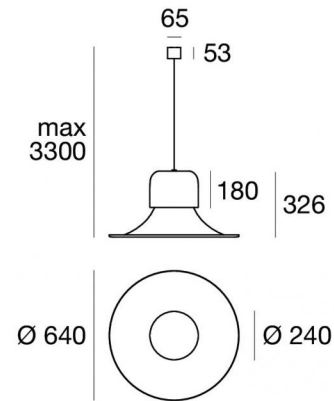




Pendelleuchte | 220-240 V
1 topLED 28 W DC - 31 W AC | CRI 90
9301



Technische Daten	
Jahr der Verwirklichung	2021
Typ	Pendelleuchte
Installationsposition	Decke
Installationsumgebung	Indoor
Lichtquelle	LED
Optik	General Lighting
Light emission direction	downward
Lampenleistung	28 W
Lichtstrom (Lichtquelle)	3648 lm
Frequency	50 - 60 Hz
Ähnlichste Farbtemperatur / Tone	2700 K
Farbwiedergabeindex	90 Ra
Gleichstrom/Gleichspannung	AC
Isolierklasse	1
IP	IP20
Glühdrahtprüfung	650°
Direkte Montage auf normal entflammaren Oberflächen	Ja
CE	Ja
Einschließlich Driver	Driver
Leuchte dimmbar	DALI-2
Schwenkbarkeit	Nein
Drehbarkeit	Nein
Begehbarkeit	Nein
Überrollbarkeit	Nein
Einschließlich Kabel	Ja
Kabellänge	3 m
Harzbeschichtung	Nein
Typ Lichtabstrahlung	Einflammig
Schutz vor elektrostatischen Entladungen	Nein
Schutz vor Stoßspannungen	Nein

Oberfläche Gehäuse

Material	Aluminium - Aluminium
Farbe	Rot
Bearbeitungstyp	Lackierung - Lackierung

Oberfläche Fassung

Material	Eisen
Bearbeitungstyp	Lackierung

Pendelleuchte | 220-240 V | 1 topLED 28 W DC - 31 W AC | CRI 90
9301

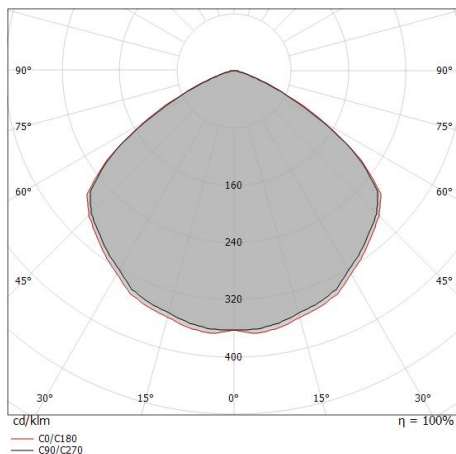
Single emission pendant luminaires for indoor application. The super warm LED light source with a general lighting light distribution is composed of 1 topLED LEDs with CCT of 2700 K and a CRI 90; the source luminous flux is 3648 lm, with a 130.3 lm/W nominal luminous efficacy.

The device body is made of aluminium, processed by means of coating
 The device body is made of aluminium and features a red finish, processed by means of coating; the mounting frame is made of iron, processed by means of coating. The ingress protection degree is IP20;

The total absorbed power is 28 W. The power supply cable is included and features a 3 m length.

The device features protection class I and can be ceiling-mounted.

Compliant with the EN 60598-1 standard and its specific provisions.



Distance [m]	Cone diameter [m]	illuminance [lx]
0.5	1.55	E(0°) 2676
	1.56	E(C90) 57.2° 214
		E(C0) 57.3° 216
1.0	3.10	E(0°) 669
	3.12	E(C90) 57.2° 54
		E(C0) 57.3° 54
1.5	4.66	E(0°) 297
	4.67	E(C90) 57.2° 24
		E(C0) 57.3° 24
2.0	6.21	E(0°) 167
	6.23	E(C90) 57.2° 13
		E(C0) 57.3° 14
2.5	7.76	E(0°) 107
	7.79	E(C90) 57.2° 9
		E(C0) 57.3° 9
3.0	9.31	E(0°) 74
	9.35	E(C90) 57.2° 6
		E(C0) 57.3° 6

— C0/C180 (Half-peak divergence: 114.6°)
 - - C90/C270 (Half-peak divergence: 114.4°)

Illuminotechnical Eigenschaften	
Light Output Ratio (LOR)	50 %
Lichtstrom (Lichtquelle)	3648 lm
Leuchten Lichtstrom	1848 lm
Consumption	31 W
Leuchten Lichtausbeute	59 lm/W
Farbtemperatur	2700 K
Standard Deviation of Colour Matching	3 Step MacAdam
Farbwiedergabeindex	90 Ra
Verbindungstemperatur (Leuchte)	80
Standardumgebungstemperatur	25
LED Life / Failure Ratio	
L70 B20 C0 72500h	

UGR	
UGR transversal	25.4
UGR axial	25.3
X=4H Y=8H	S=0.25H
Reflection factor	70/50/20

OPTICAL	
Light distribution simmetry	Symmetrical
Optik C0/C180	114°