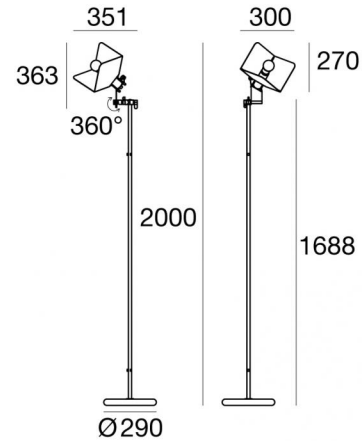


# Triedro



Floor Lamp | 220-240 V | 1xE27  
8994



Technical data	
Designer	Joe Colombo
Construction year	1970
Type	Floor Lamp
Installation position	Floor
Installation environment	Indoor
Lamp cap	1 x E27
Light emission direction	downward and upward
Frequency	50-60 Hz
Optics	Diffused
Safety class	2
IP	IP20
Glow wire test	No
Direct mounting on normally flammable surfaces	Yes
CE	Yes
Dimmable article	No
Directional	No
Tilting	Yes
total angle (horizontal plane)	350 °
total angle (vertical plane)	360 °
Walk-over	No
Drive-over	No
Cable included	Yes
Cable length	4 m
Resin potting	No
Net weight	13.265 Kg

## Finishing casing

Material	metal
Colour	black
Processing	Coating

## Finishing diffuser

Material	metal
Colour	White RAL 9016
Processing	Coating

## Finishing mounting frame

Material	metal
Colour	black
Processing	Coating



Floor Lamp | 220-240 V | 1xE27 | Base  
8994

Single emission floor lamp for indoor application. LED lamplamp included, lamp cap 1xE27.

The device body is made of metal and features a black finish, processed by means of coating; the diffuser is made of metal with a coating treatment; the mounting frame is made of metal, with a black finish, processed by means of coating. The ingress protection degree is IP20; the total weight is of 13.265 kg.

. The power supply cable is included and features a 4 m length.

The device features protection class II and can be floor-mounted.

Compliant with the EN 60598-1 standard and its specific provisions.

#### Energy efficiency class

This product contains a light source of energy efficiency class F.

#### Illuminotechnical Features

Light Output Ratio (LOR)	100 %
Source lumens	650 lm
Delivered lumens	461 lm
Consumption	7 W
Luminaire efficacy	65 lm/W
Colour temperature	2700 K
Colour rendering index	80 Ra

