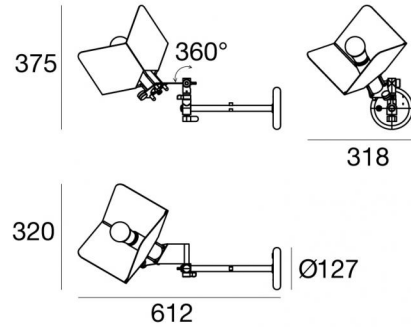


Triedro



Wall Lights | 220-240 V | 1xE27
8993



Technical data	
Designer	Joe Colombo
Construction year	1970
Type	Wall Lights
Installation position	Wall lights
Installation environment	Indoor
Lamp cap	1 x E27
Light emission direction	downward and upward
Frequency	50-60 Hz
Optics	Diffused
Safety class	1
IP	IP20
Glow wire test	No
Direct mounting on normally flammable surfaces	Yes
CE	Yes
Dimmable article	No
Directional	No
Tilting	Yes
total angle (horizontal plane)	350 °
total angle (vertical plane)	360 °
Walk-over	No
Drive-over	No
Cable included	No
Resin potting	No
Net weight	2.3 Kg

Finishing casing

Material	metal
Colour	black
Processing	Coating

Finishing diffuser

Material	metal
Colour	White RAL 9016
Processing	Coating

Finishing mounting frame

Material	metal
Colour	black
Processing	Coating



Wall Lights | 220-240 V | 1xE27 | Base
8993

Single emission wall lights for indoor application. LED lamplamp included, lamp cap 1xE27.

The device body is made of metal and features a black finish, processed by means of coating; the diffuser is made of metal with a coating treatment; the mounting frame is made of metal, with a black finish, processed by means of coating. The ingress protection degree is IP20; the total weight is of 2.3 kg.

The device features protection class I and can be wall lights-mounted.

Compliant with the EN 60598-1 standard and its specific provisions.

Energy efficiency class

This product contains a light source of energy efficiency class F.

Illuminotechnical Features

Light Output Ratio (LOR)	100 %
Source lumens	650 lm
Delivered lumens	461 lm
Consumption	7 W
Luminaire efficacy	65 lm/W
Colour temperature	2700 K
Colour rendering index	80 Ra

