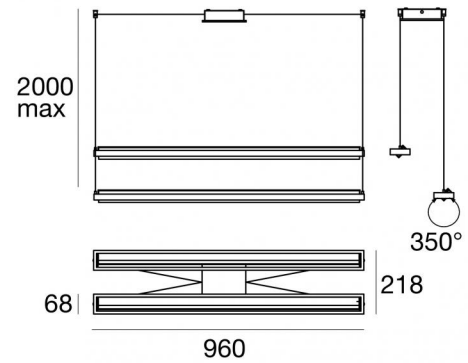
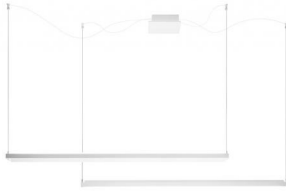


# Tablet\_P2



Pendant Luminaires | 220-240 V  
108 topLED 35 W DC - 41 W AC | CRI 80  
**8478**



Technical data	
Construction year	2018
Type	Surface
Installation position	Ceiling
Installation environment	Indoor
Light Source	LED
Optics	General Lighting
Light emission direction	downward
Power	35 W
Source lumens	5114 lm
Frequency	60 - 50 Hz
CCT / Tone	3000 K
Colour rendering index	80 Ra
C.C. / C.V.	AC
Safety class	1
IP	IP20
Glow wire test	850°
Direct mounting on normally flammable surfaces	Yes
CE	Yes
Driver included	Driver
Dimmable article	Phase cut
Directional	Swivelling
total angle (vertical plane)	0 °
total angle (horizontal plane)	350 °
Tilting	No
Walk-over	No
Drive-over	No
Cable included	Yes
Cable length	5 m
Resin potting	No
Type of light emission	Single emission
Net weight	3.6 Kg
Electrostatic discharge protection	No
Surge protection	No

Finishing casing	
Material	Aluminium
Colour	Embossed white RAL 9003
Processing	Coating
Finishing diffuser	
Material	PC
Colour	opaline
Cables Electrification+suspension	
Max cable length	5000 mm



Pendant Luminaires | 220-240 V | 108 topLED 35 W DC - 41 W AC | CRI 80 | Base  
8478

Single emission pendant luminaires for indoor application. The warm white LED light source with a general lighting light distribution is composed of 108 topLEDs with CCT of 3000 K and a CRI 80; the source luminous flux is 5114 lm, with a 146.1 lm/W nominal luminous efficacy.

The device body is made of aluminium and features a embossed white ral 9003 finish, processed by means of coating; the diffuser is made of PC. The ingress protection degree is IP20; the total weight is of 3.6 kg.

The total absorbed power is 41 W. The power supply cable is included and features a 5 m lenght.

The device features protection class I and can be ceiling-mounted.

Compliant with the EN 60598-1 standard and its specific provisions.

### Energy efficiency class

This product contains 6 light sources of energy efficiency class D.

### Illuminotechnical Features

Light Output Ratio (LOR)	53 %
Source lumens	5114 lm
Delivered lumens	2740 lm
Consumption	41 W
Luminaire efficacy	66 lm/W
Colour temperature	3000 K
Standard Deviation of Colour Matching	3 Step MacAdam
Colour rendering index	80 Ra
Junction temperature (lighting fixture)	80
Standard Operating Ambient Temperature	25

### LED Life / Failure Ratio

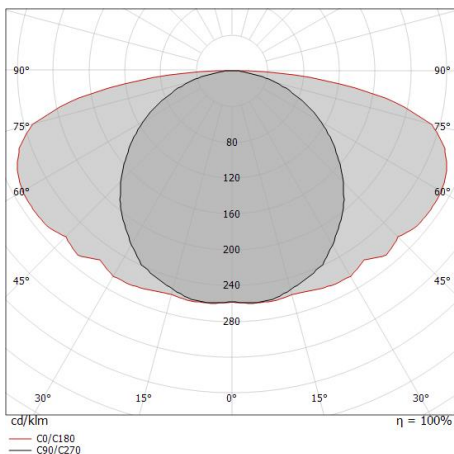
L70 B20 C0 72500h

### UGR

UGR axial	19.4
UGR transversal	20.8
X=4H   Y=8H	S=0.25H
Reflection factor	70/50/20

### OPTICAL

Light distribution simmetry	Symmetrical 2
C0/C180 optics	130°
C90/C270 optics	114°



Distance [m]	Cone diameter [m]	illuminance [lx]
0.5	1.51 7.30	E(0°) 2830 E(C90) 242 E(C0) 4
1.0	3.01 14.60	E(0°) 708 E(C90) 61 E(C0) 1
1.5	4.52 21.90	E(0°) 314 E(C90) 27 E(C0) 0
2.0	6.02 29.20	E(0°) 177 E(C90) 15 E(C0) 0
2.5	7.53 36.50	E(0°) 113 E(C90) 10 E(C0) 0
3.0	9.03 43.80	E(0°) 79 E(C90) 7 E(C0) 0

— C0/C180 (Half-peak divergence: 164.4°)  
- - C90/C270 (Half-peak divergence: 112.8°)



Tablet\_P2 | Pendant Luminaires | Accessories  
8478



Dimmer  
220-240V

**Code**  
KIT0026



Dimmer  
Radio-frequenza, 85-240V

**Code**  
KIT0080