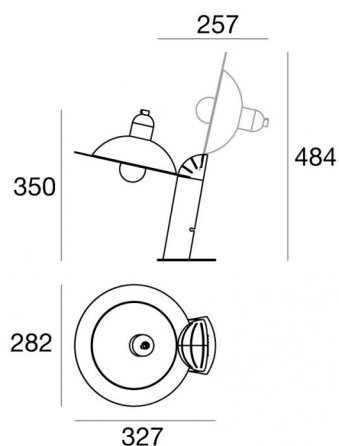


Lampiatta



Table Lamps | 220-240 V | 1xE27
8971



Technical data	
Designer	De Pas - D'urbino - Lomazzi
Construction year	1971
Type	Table Lamps
Installation position	Floor
Installation environment	Indoor
Power	1 x 7 W
Lamp cap	1 x E27
Frequency	50-60 Hz
Optics	General Lighting
Light emission direction	downward
Safety class	2
IP	IP20
Glow wire test	850°
Direct mounting on normally flammable surfaces	Yes
CE	Yes
Dimmable article	No
Directional	No
Tilting	No
Walk-over	No
Drive-over	No
Cable included	Yes
Cable length	2 m
Electric socket	Type L
Resin potting	No
Net weight	2,17 Kg

Finishing casing	
Material	ABS
Colour	White RAL 9016
Processing	Powder coating
Finishing diffuser	
Material	Aluminium
Colour	White RAL 9003
Processing	Coating
Finishing base	
Material	AISI 304 steel
Colour	steel



Table Lamps | 220-240 V | 1xE27
8971

Single emission table lamps for indoor application. LED lamplamp included, lamp cap 1xE27.

The device body is made of ABS and features a white ral 9016 finish, processed by means of powder coating; the diffuser is made of aluminium with a coating treatment. The ingress protection degree is IP20; the total weight is of 2,17 kg.

. The power supply cable is included and features a 2 m lenght.

The device features protection class II and can be floor-mounted.

Compliant with the EN 60598-1 standard and its specific provisions.

Illuminotechnical Features

Source lumens	650 lm
Colour temperature	2700 K
Colour rendering index	80 Ra