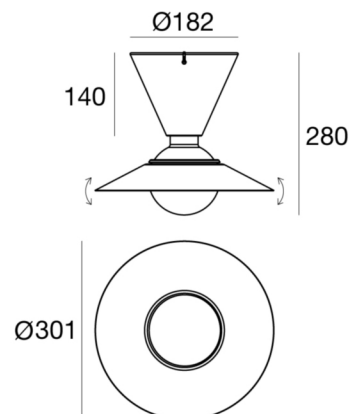




Ceiling Lights | 220-240 V | 1xE27
8969



Technical data	
Designer	De Pas - D'urbino - Lomazzi
Construction year	1978
Type	Ceiling Lights
Installation position	Ceiling
Installation environment	Indoor
Power	1 x 11 W
Lamp cap	1 x E27
Frequency	50-60 Hz
Optics	General Lighting
Light emission direction	downward and upward
Safety class	1
IP	IP20
Glow wire test	850°
Direct mounting on normally flammable surfaces	Yes
CE	Yes
Dimmable article	No
Directional	No
Tilting	No
Walk-over	No
Drive-over	No
Cable included	No
Electric socket	Type L
Resin potting	No
Net weight	1,195 Kg

Finishing diffuser	
Material	Aluminium
Colour	white RAL 9010
Processing	Coating

Finishing base	
Material	PU



Ceiling Lights | 220-240 V | 1xE27
8969

Single emission ceiling lights for indoor application. LED lamplamp included, lamp cap 1xE27.

The diffuser is made of aluminium with a coating treatment. The ingress protection degree is IP20; the total weight is of 1,195 kg.

The device features protection class I and can be ceiling-mounted.

Compliant with the EN 60598-1 standard and its specific provisions.

Illuminotechnical Features

Source lumens	1520 lm
Colour temperature	2700 K
Colour rendering index	80 Ra