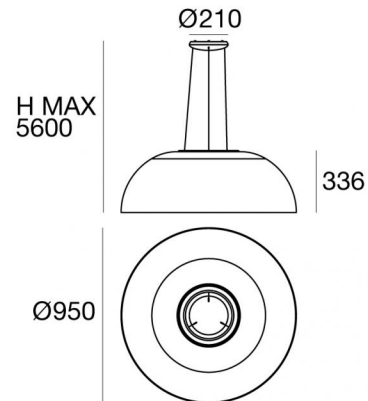




Pendant Luminaires | 220-240 V  
126 topLED 50 W DC - 55 W AC | CRI 90  
**8891**



Technical data	
Designer	Mirco Crosatto
Construction year	2019
Type	Surface
Installation position	Ceiling
Installation environment	Indoor
Light Source	LED
Circuit structure	topLED
Optics	Diffused
Light emission direction	downward and upward
Nominal power	50 W DC
Total Power	55 W
Source lumens	6219 lm
Voltage	220 - 240 V AC
Frequency	60 - 50 Hz
CCT / Tone	3000 K
Colour rendering index	90 Ra
C.C. / C.V.	AC
Safety class	1
IP	IP20
Glow wire test	650°
Direct mounting on normally flammable surfaces	Yes
CE	Yes
Driver included	Driver
Dimmable article	DALI - PUSH DIM
Directional	No
Tilting	No
Walk-over	No
Drive-over	No
Cable included	Yes
Cable length	2,5 m
Resin potting	No
Type of light emission	Double emission
Net weight	6,51 Kg
Electrostatic discharge protection	No
Surge protection	No
Optics technology	Optilight TM

### Finishing casing

Material	Die-cast Aluminium
Colour	White
Processing	Powder coating

### Finishing diffuser

Colour	transparent
Processing	Laser engravings

### Finishing mounting frame

Material	metal
Colour	White
Processing	Coating

### Cables Pendant Luminaires

Max cable length	5300 mm
------------------	---------



Pendant Luminaires | 220-240 V | 126 topLED 50 W DC - 55 W AC | CRI 90 | Base 8891

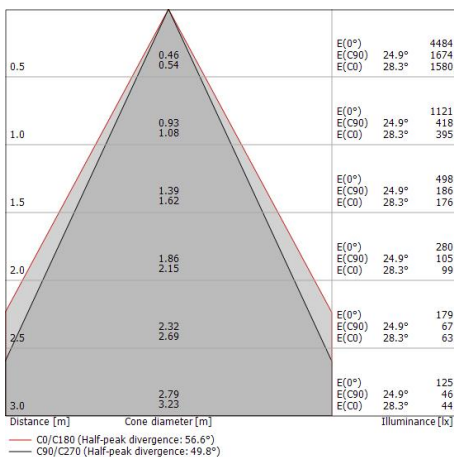
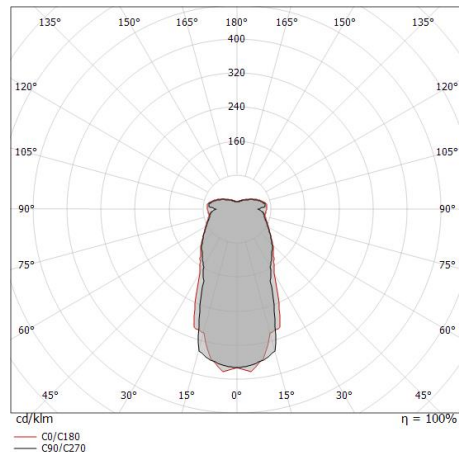
Double emission pendant luminaires for indoor application. The warm white LED light source with a diffused light distribution is composed of 126 topLED LEDs with CCT of 3000 K and a CRI 90; the source luminous flux is 6219 lm, with a 124.4 lm/W nominal luminous efficacy.

The device body is made of die-cast aluminium and features a white finish, processed by means of powder coating; the diffuser is made with a laser engravings treatment; the mounting frame is made of metal, with a white finish, processed by means of coating. The ingress protection degree is IP20; the total weight is of 6,51 kg.

The total absorbed power is 55 W. The power supply cable is included and features a 2,5 m length.

The device features protection class I and can be ceiling-mounted.

Compliant with the EN 60598-1 standard and its specific provisions.



### Energy efficiency class

This product contains 3 light sources of energy efficiency class E.

### Illuminotechnical Features

Light Output Ratio (LOR)	48 %
Source lumens	6219 lm
Delivered lumens	2998 lm
Consumption	55 W
Luminaire efficacy	54 lm/W
Colour temperature	3000 K
Standard Deviation of Colour Matching	3 Step MacAdam
Colour rendering index	90 Ra
Junction temperature (lighting fixture)	80

Standard Operating Ambient Temperature 25°C

### LED Life / Failure Ratio

L70 B20 C0 72500h (at Tj 115 Ta 25)

### UGR

UGR axial	16.5
UGR transversal	16.8
X=4H   Y=8H	S=0.25H
Reflection factor	70/50/20

### OPTICAL

C90/C270 optics	50°
C0/C180 optics	57°
Light distribution simmetry	Symmetrical 2 assis



Dimmer  
Bluetooth, 220-240V

**Code**  
KIT0079