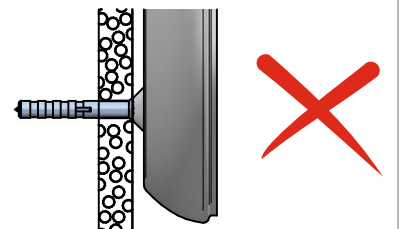
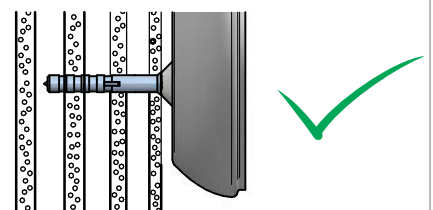
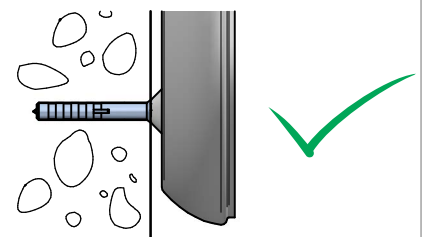
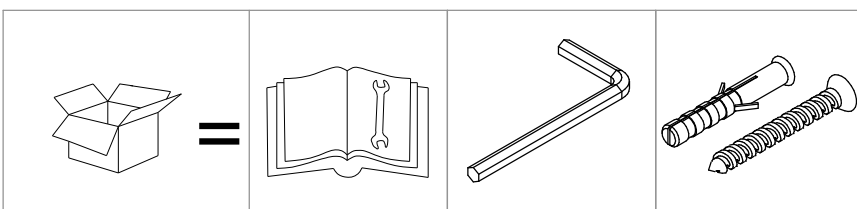
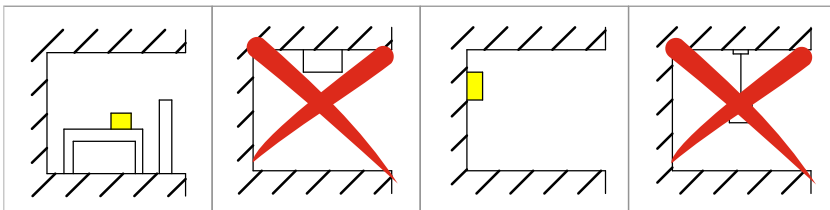
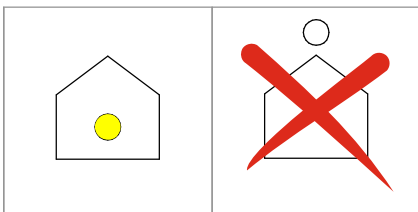




3000 K

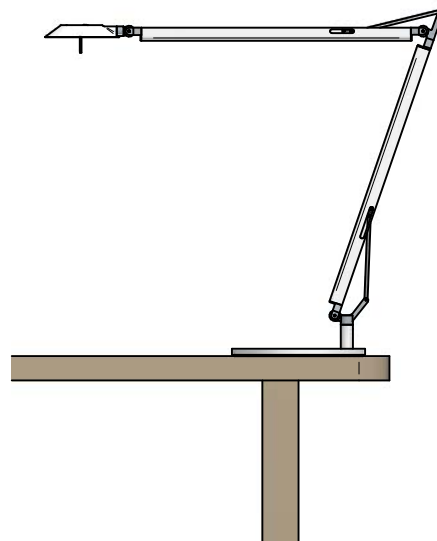
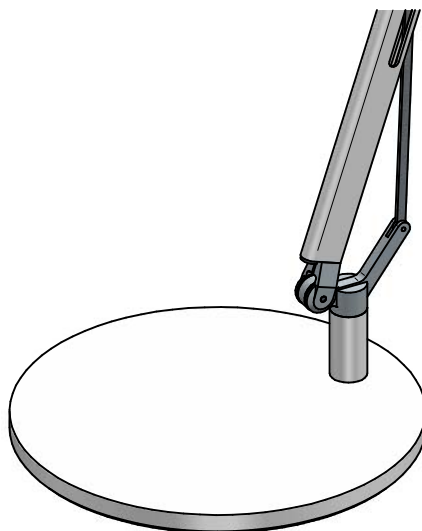
2700 K

<input type="checkbox"/>	C003IWHWDI	<input type="checkbox"/>	C003IWHMDI
<input checked="" type="checkbox"/>	C003IBBWDI	<input checked="" type="checkbox"/>	C003IBBMDI
<input checked="" type="checkbox"/>	C003IMGWDI	<input checked="" type="checkbox"/>	C003IMGMDI
<input checked="" type="checkbox"/>	C003ILUWDI	<input checked="" type="checkbox"/>	C003ILUMDI
<input checked="" type="checkbox"/>	C003IGBWDI	<input checked="" type="checkbox"/>	C003IGBMDI
<input checked="" type="checkbox"/>	C003IPSWDI	<input checked="" type="checkbox"/>	C003IPSMDI



A

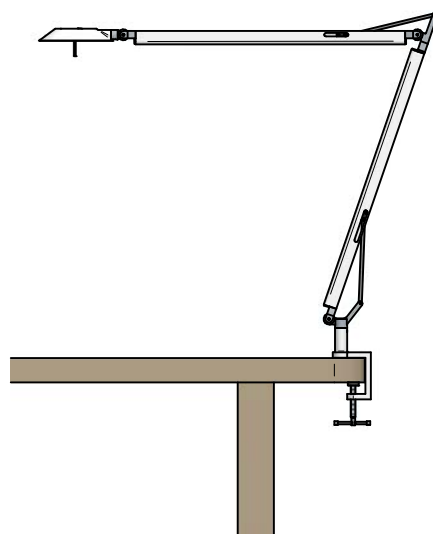
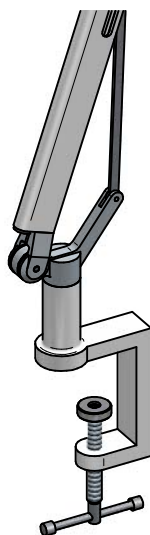
- C004RWHEZZ
- C004RBBEZZ
- C004RMGEZZ
- C004RLUEZZ
- C004RGBEZZ
- C004RPSEZZ



KIT NOT INCLUDED

B

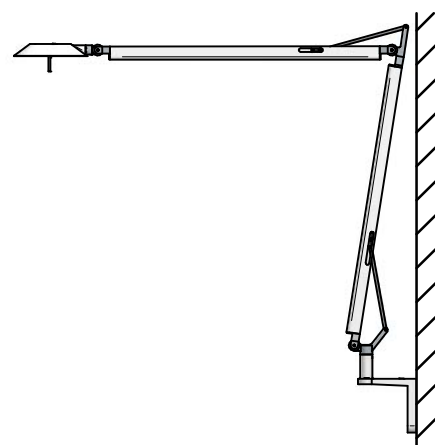
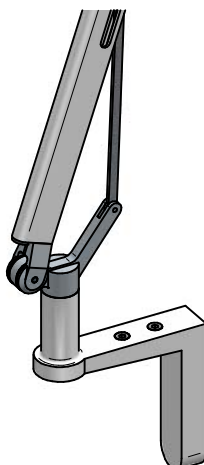
- C005RWHEZZ
- C005RBBEZZ
- C005RMGEZZ
- C005RLUEZZ
- C005RGBEZZ
- C005RPSEZZ



KIT NOT INCLUDED

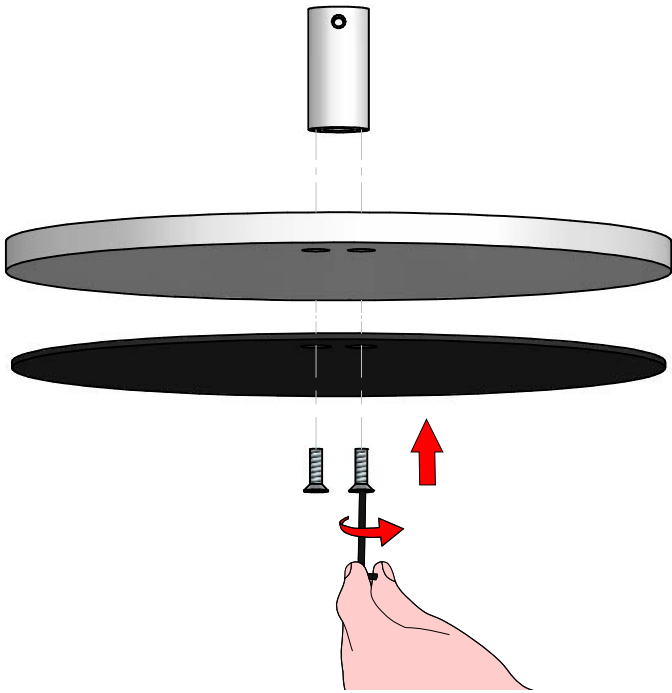
C

- C006RWHEZZ
- C006RBBEZZ
- C006RMGEZZ
- C006RLUEZZ
- C006RGBEZZ
- C006RPSEZZ

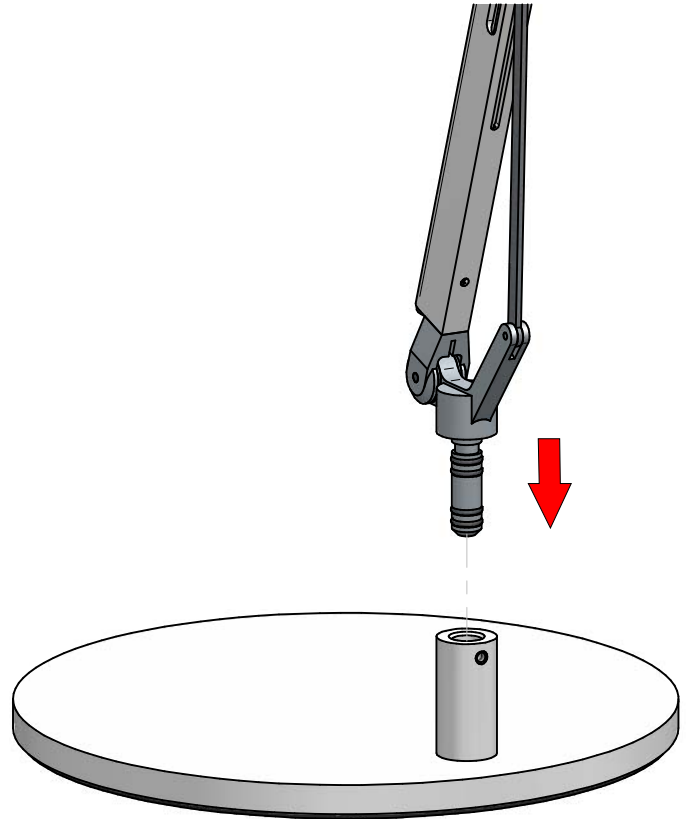


KIT NOT INCLUDED

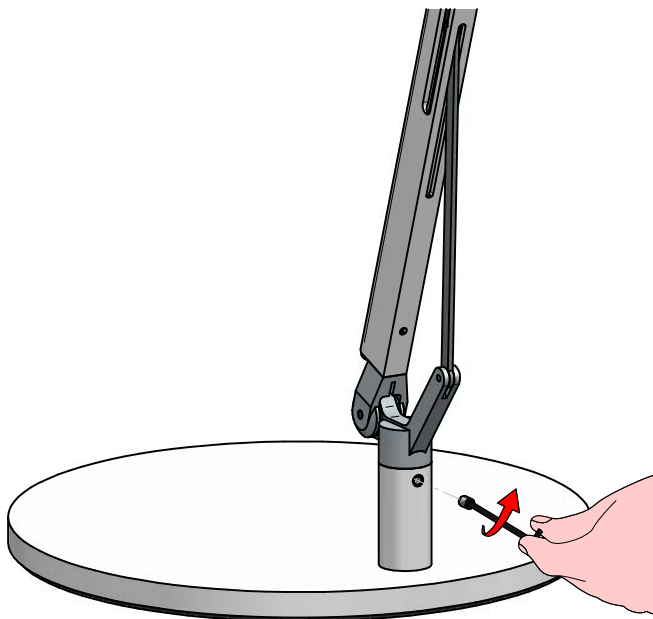
1A



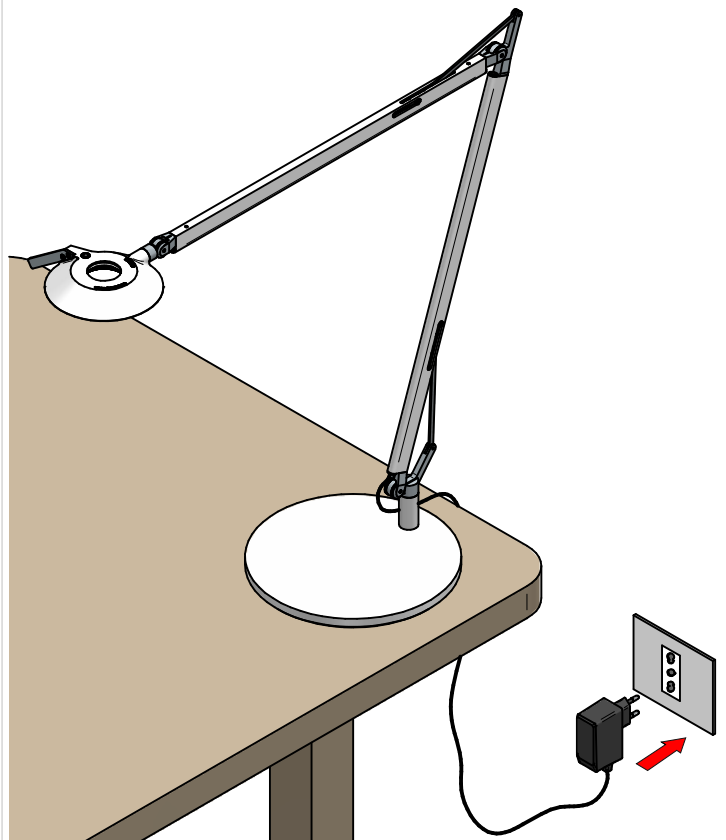
2A



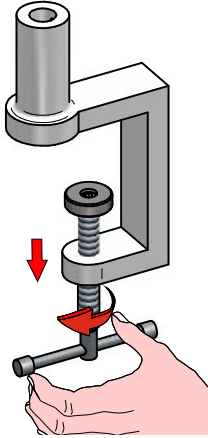
3A



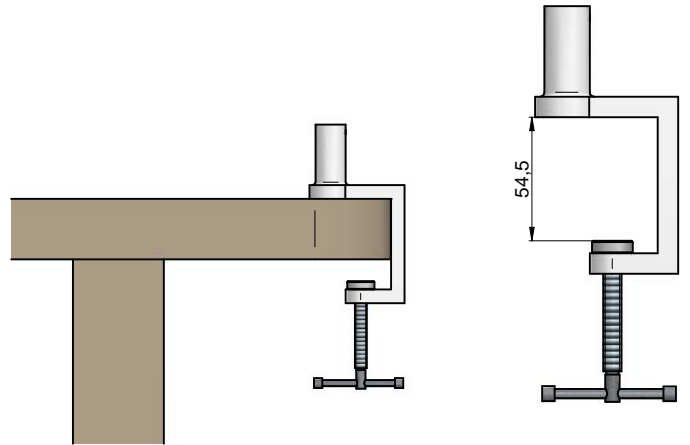
4A



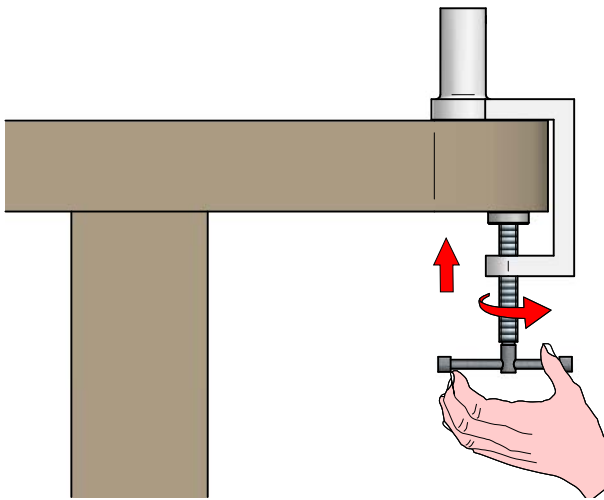
1B



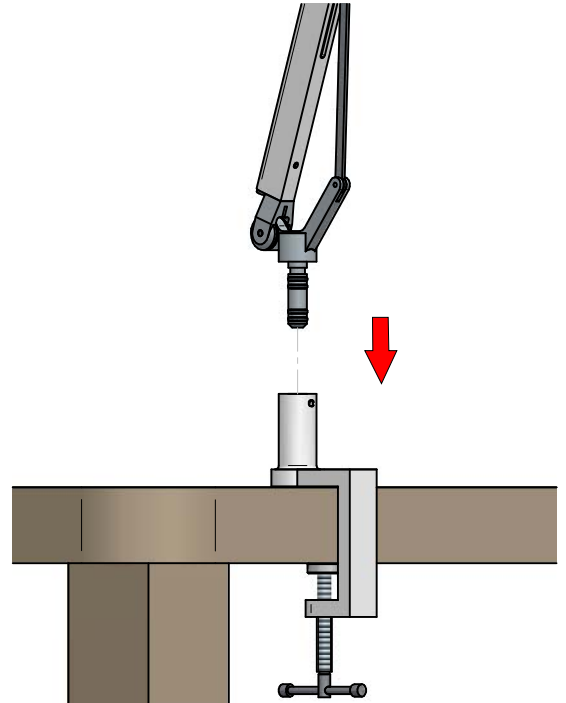
2B



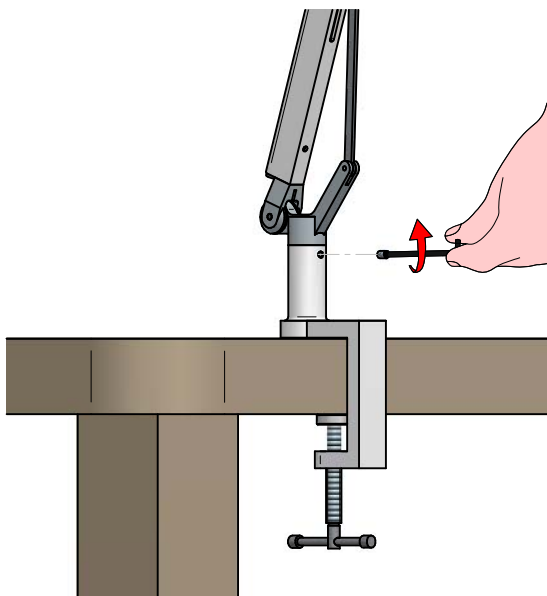
3B



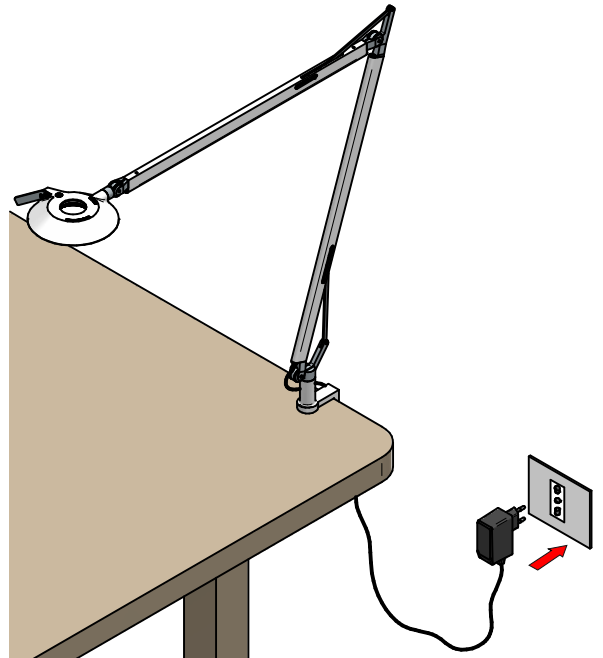
4B



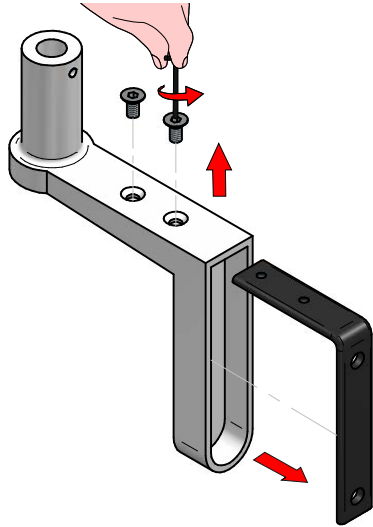
5B



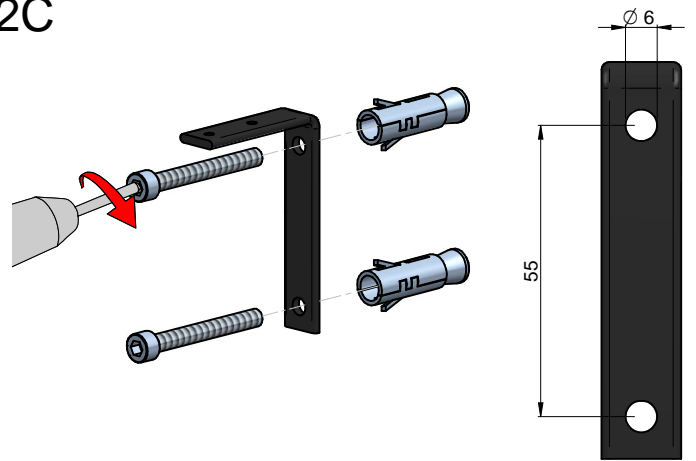
6B



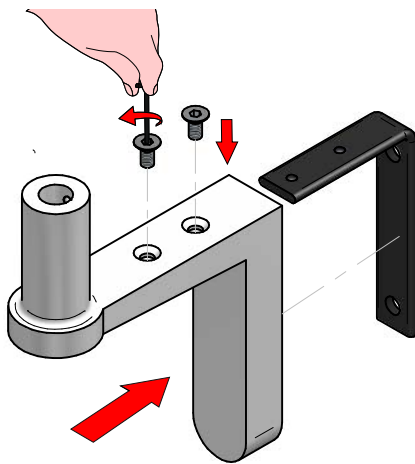
1C



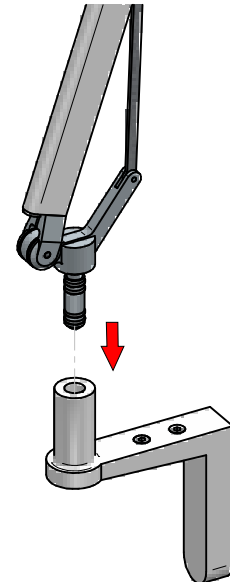
2C



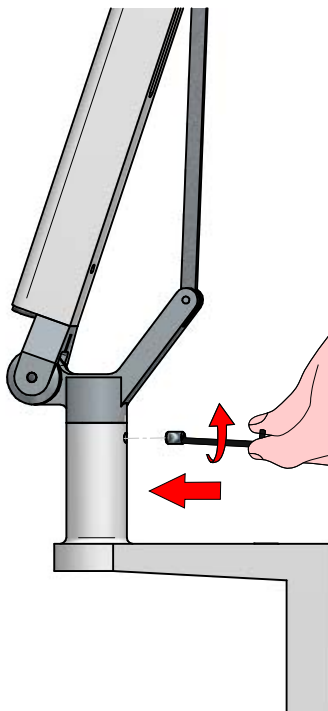
3C



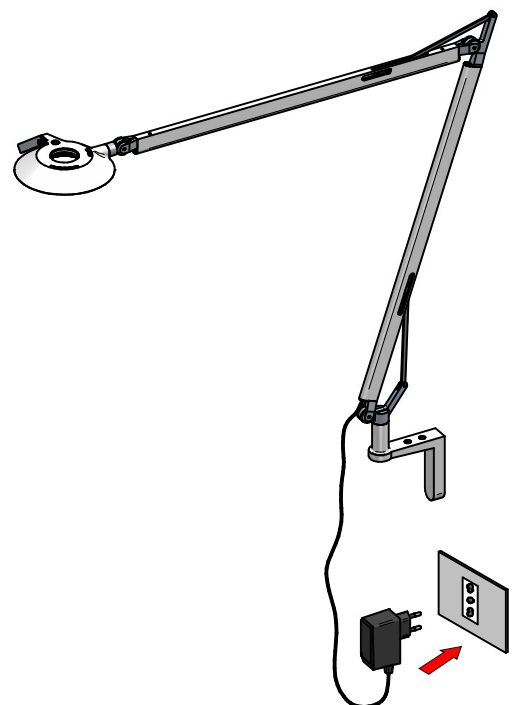
4C



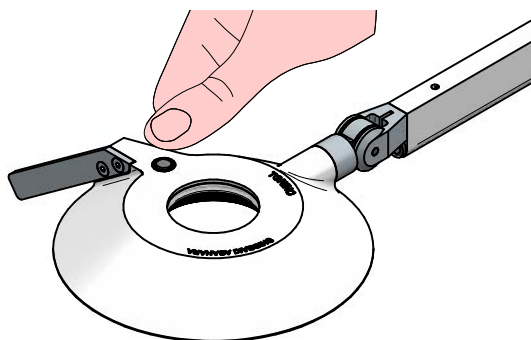
5C



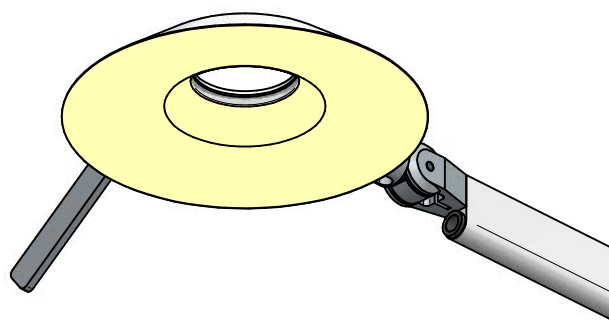
6C



< 1s



ON - OFF



> 1s

